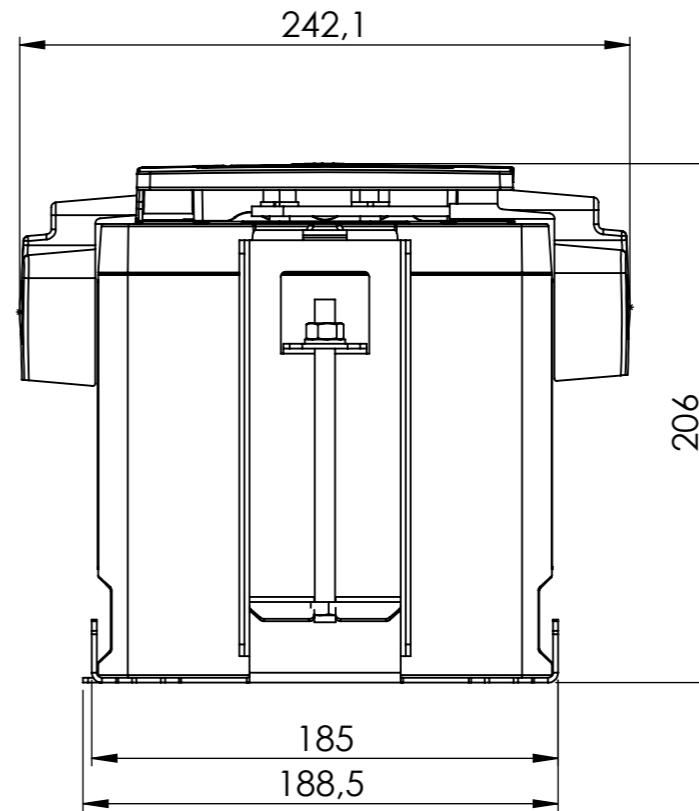
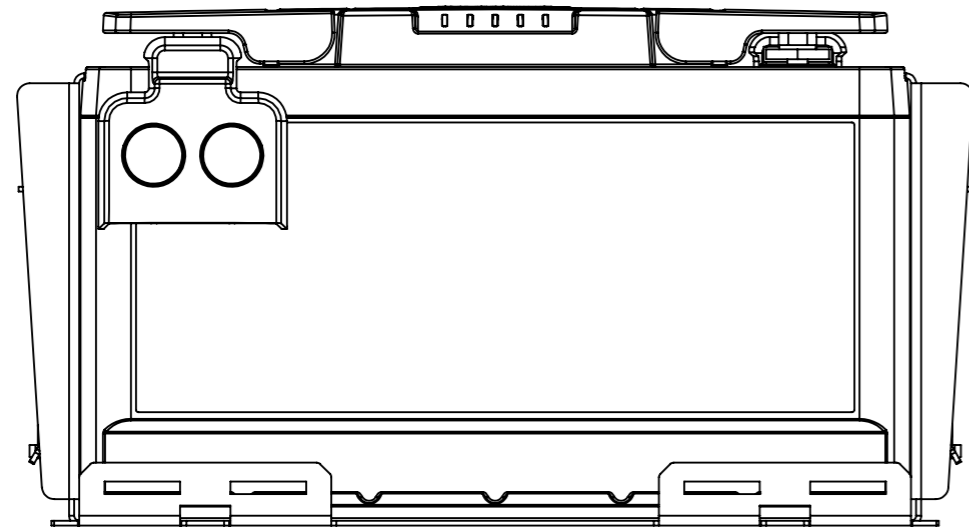
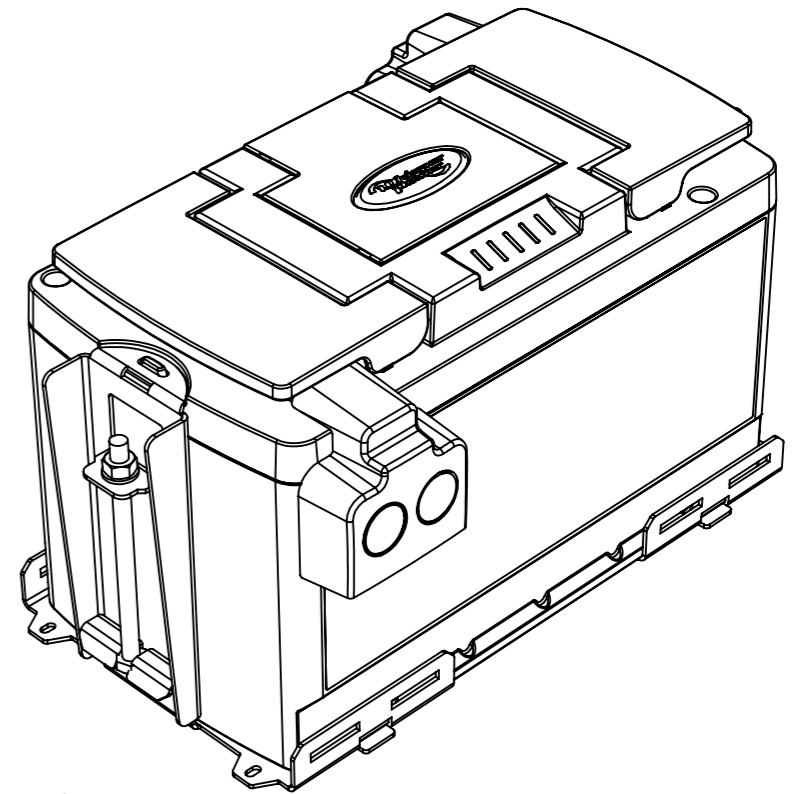
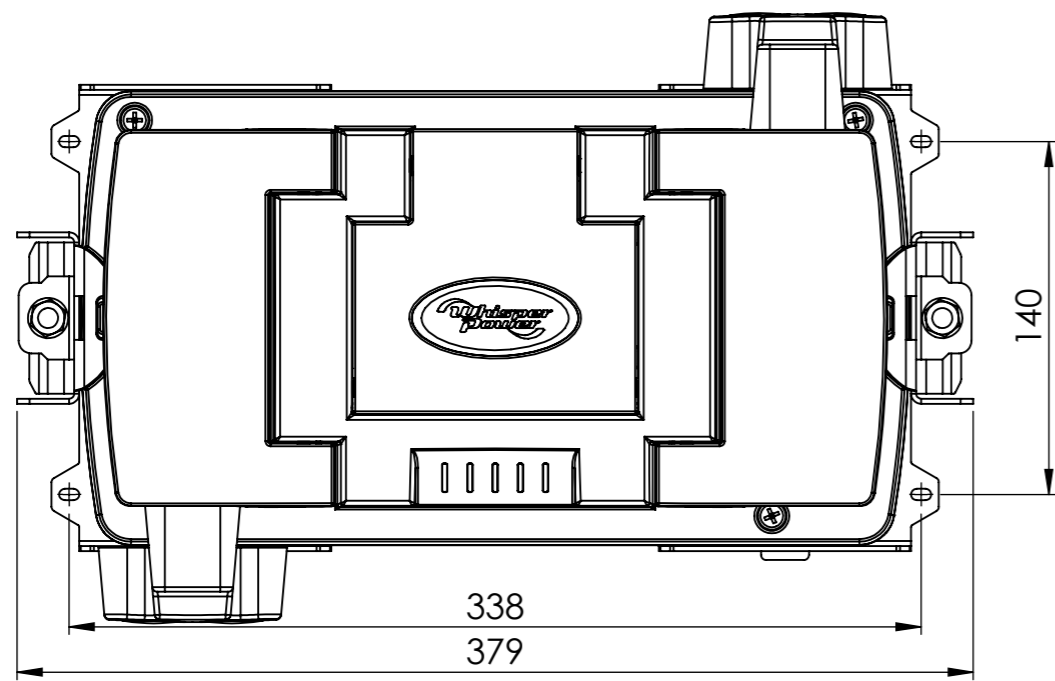

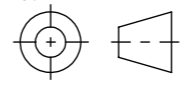


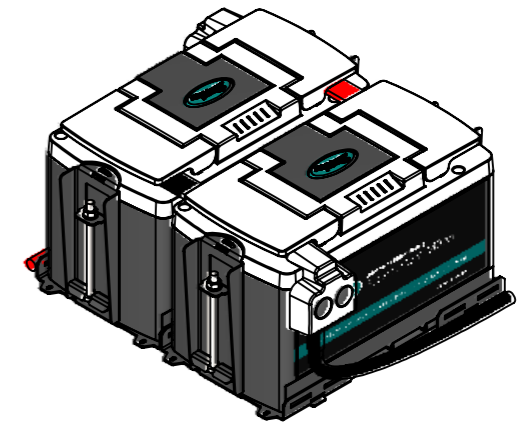
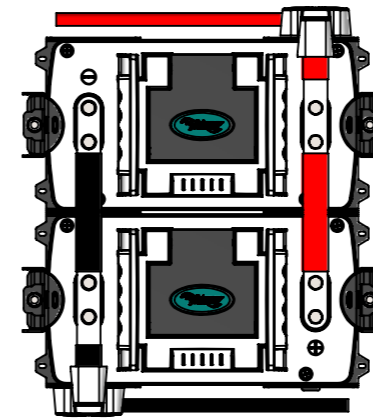
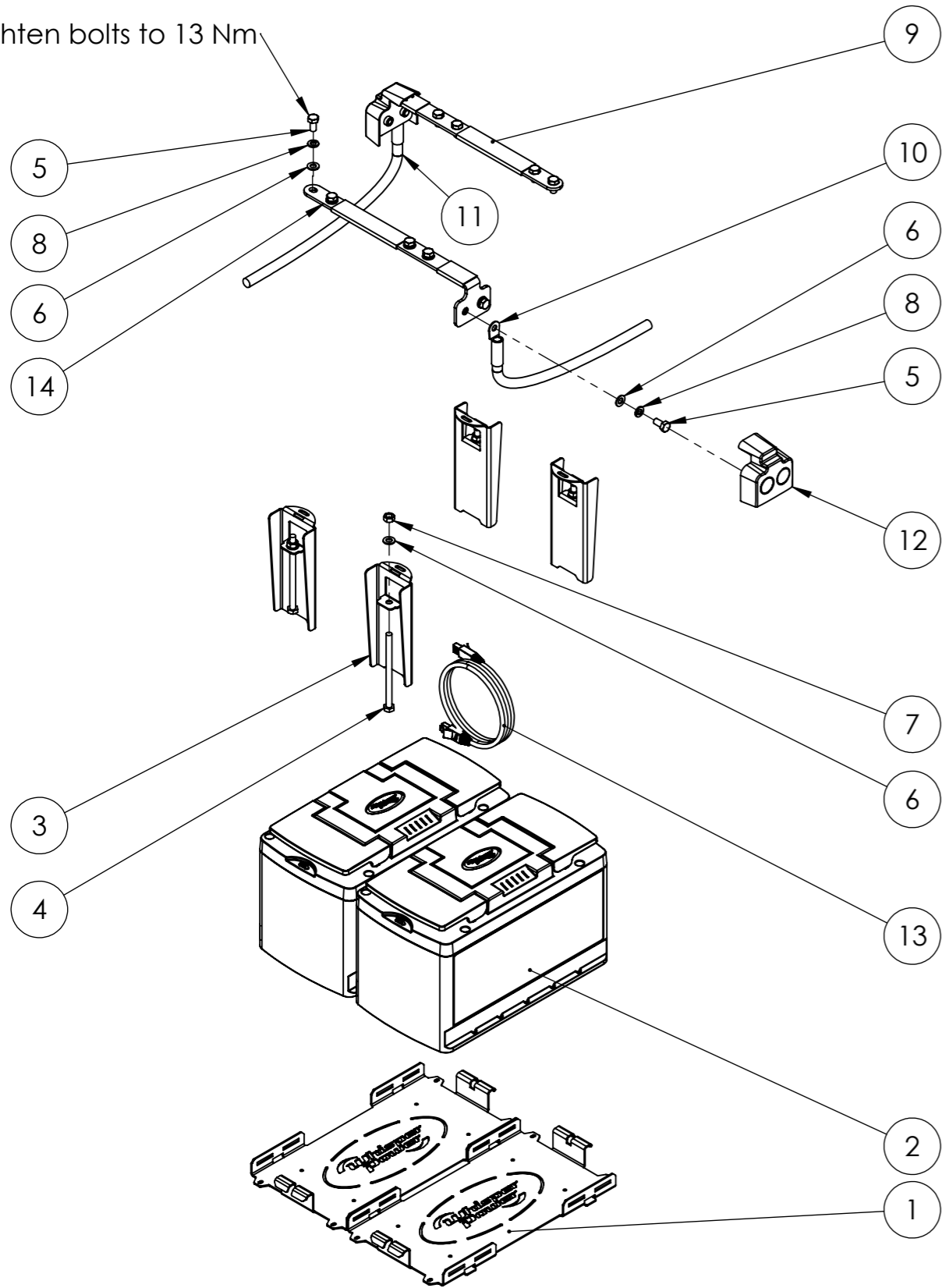
13	1	Link bar 90° - Isolated Red Positive	6058A2510126	NOT REQUIRED
12	1	Battery Cable 50 mm² - 1.5 m red	6058 Battery Cable 50 mm² - 1.5 m red	NOT_REQUIRED
11	1	Battery Cable 50 mm² - 1.5 m Black	6058 Battery Cable 50 mm² - 1.5 m Black	NOT_REQUIRED
10	2	Protection Cap Busbar Connection Assy	6058A2510079	NOT REQUIRED
9	1	Link bar 90° - Isolated Black Negative	6058A2510125	NOT_REQUIRED
8	8	Spring lock washer with square ends DIN T27 B Spring steel Zinc plated M8	37020.080.001	50211445
7	2	Hexagon nut DIN 934 Steel Zinc plated M8	01300.080.001	50211465
6	10	Plain washer DIN 125-1A Steel Zinc plated 140 HV M8	38130.080.001	50211405
5	8	Hexagon head screw ISO 4017 Steel Zinc plated 8.8 M8X16	1210080016	50211152
4	2	Hexagon head screw ISO 4017 Steel Zinc plated 8.8 M8X120	1210080120	50211166
3	2	Lithium Ultra Fixation Clamp - Lithium Battery - Power Advanced 12 V   140 Ah	6058P249563	40291285
2	1	Battery Lithium Power Smart Connect 12 V - 140 Ah	6058A220010	40291210
1	1	Bottom Fixation - Lithium Battery - Power Advanced 12 V   140 Ah	6058P249562	40291284
ITEM NO.	QTY.	DESCRIPTION	DRAWING	ARTICLE No.

UNLESS OTHERWISE SPECIFIED: CHAMFER SHARP EDGES GENERAL TOLERANCE NEN ISO 2768-m FORM AND PLACE TOLERANCES NEN-ISO 1101 WELDING SYMBOL NEN EN 22553 ROUGHNESS ACC. to NEN3634		TOLERANCE PRINCIPLE ISO 8015	FINISH: -	DO NOT SCALE DRAWING	
PROJECTION : THIRD ANGLE UNITS : mm		Material:	SHEET FORMAT: <b>A3</b>	TITLE: <b>Battery Config. 1S1P 12V-140Ah</b>	
NAME	SIGNATURE	DATE	STATUS: <b>Released</b>	ARTICLE NO. <b>40291220</b>	REVISION
DRAWN M.B.		16-7-2024			
CHK'D M.B.		08-09-2025			
PRINTED		4-11-2025	DRAWING: 6058A259835	SCALE:1:6	SHEET 1 OF 2
Weight: 2428.31 gram					



UNLESS OTHERWISE SPECIFIED: CHAMFER SHARP EDGES GENERAL TOLERANCE NEN ISO 2768-m FORM AND PLACE TOLERANCES NEN-ISO 1101 WELDING SYMBOL NEN EN 22553 ROUGHNESS ACC. to NEN3634		TOLERANCE PRINCIPLE ISO 8015		FINISH: -	DO NOT SCALE DRAWING																			
PROJECTION : THIRD ANGLE UNITS : mm				Material:	SHEET FORMAT: <b>A3</b>																			
<table border="1"> <thead> <tr> <th></th> <th>NAME</th> <th>SIGNATURE</th> <th>DATE</th> <th>STATUS:</th> </tr> </thead> <tbody> <tr> <td>DRAWN</td> <td>M.B.</td> <td></td> <td>16-7-2024</td> <td rowspan="2">Released</td> </tr> <tr> <td>CHK'D</td> <td>M.B.</td> <td></td> <td>08-09-2025</td> </tr> <tr> <td>PRINTED</td> <td></td> <td></td> <td>4-11-2025</td> <td></td> </tr> </tbody> </table>			NAME	SIGNATURE	DATE	STATUS:	DRAWN	M.B.		16-7-2024	Released	CHK'D	M.B.		08-09-2025	PRINTED			4-11-2025		DRAWING: 6058A259835		TITLE: <b>Battery Config. 1S1P 12V-140Ah</b>	
	NAME	SIGNATURE	DATE	STATUS:																				
DRAWN	M.B.		16-7-2024	Released																				
CHK'D	M.B.		08-09-2025																					
PRINTED			4-11-2025																					
Weight: 2428.31 gram		ARTICLE NO. <b>40291220</b>		SCALE:1:3	REVISION																			
				SHEET 2 OF 2																				

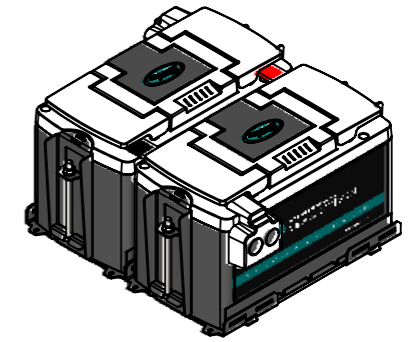
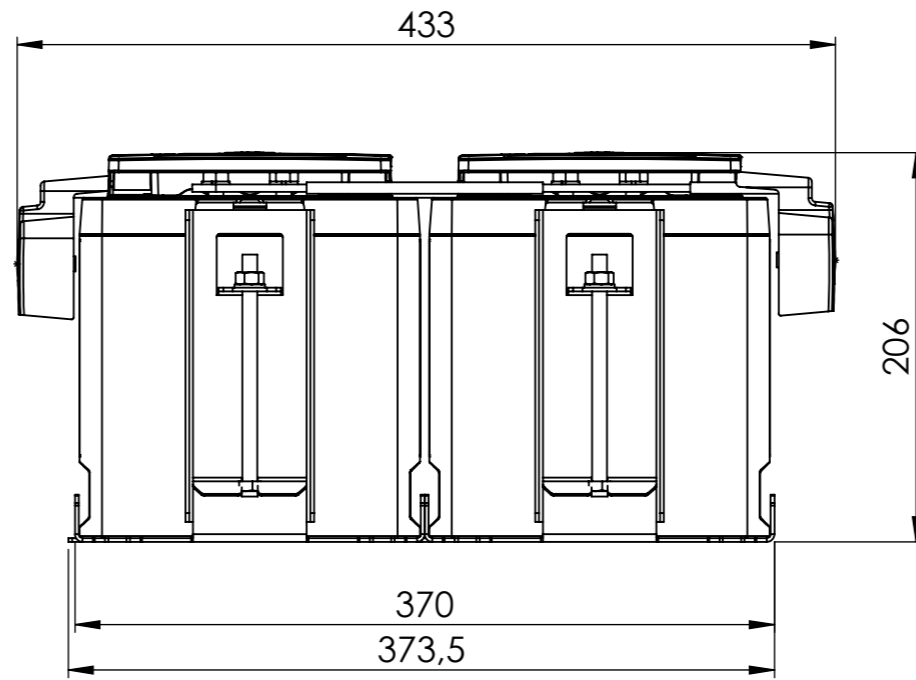
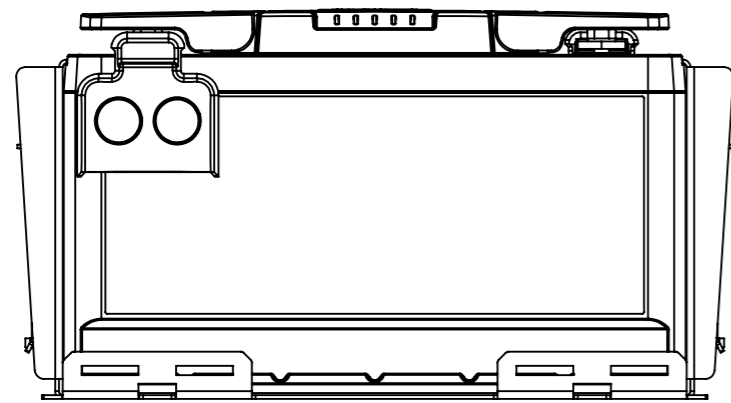
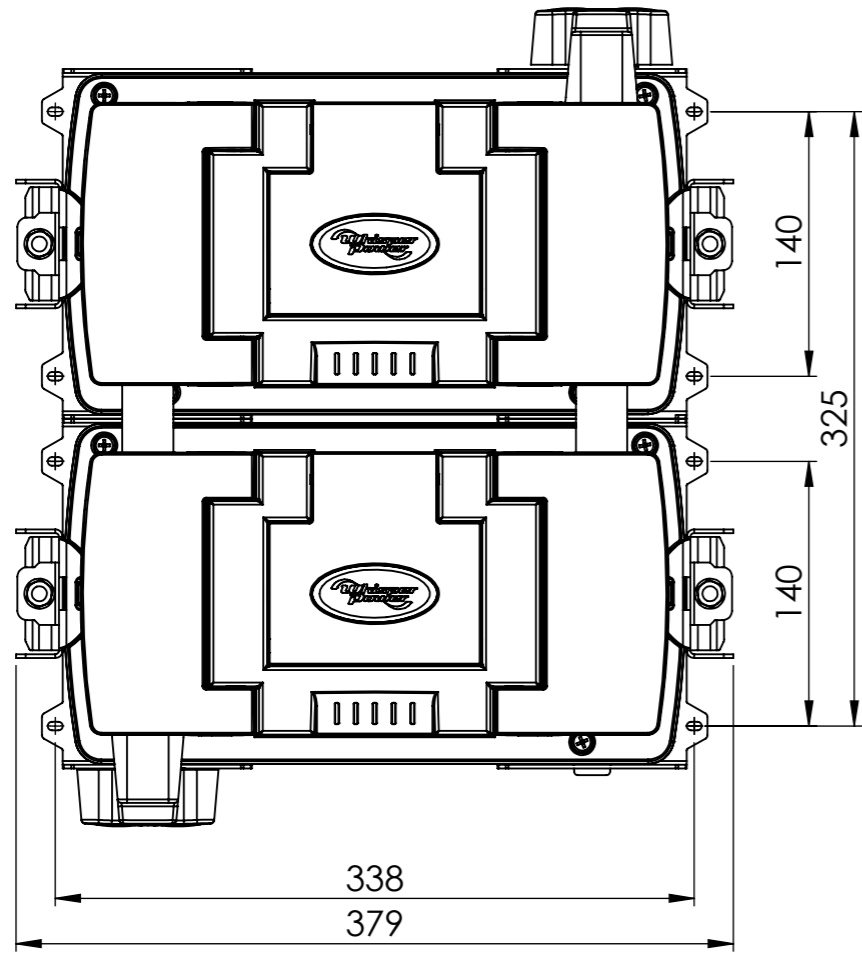
Tighten bolts to 13 Nm


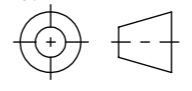


ITEM NO.	QTY.	DESCRIPTION	DRAWING	ARTICLE No.
14	1	Link bar 90° 2batt - Isolated black (negative)	6058A2510122	NOT REQUIRED
13	1	Whisper Connect Patch Cable 1,5 mtr.	6058P2510096	40290352
12	2	Protection Cap Busbar Connection Assy	6058A2510079	NOT REQUIRED
11	1	Battery Cable 50 mm <sup>2</sup> - 1.5 m red	6058 Battery Cable 50 mm <sup>2</sup> - 1.5 m red	NOT_REQUIRED
10	1	Battery Cable 50 mm <sup>2</sup> - 1.5 m Black	6058 Battery Cable 50 mm <sup>2</sup> - 1.5 m Black	NOT_REQUIRED
9	1	Link bar 90 2batt - Isolated (positive)	6058A249715	NOT_REQUIRED
8	12	Spring lock washer with square ends DIN T27 B Spring steel Zinc plated M8	37020.080.001	50211445
7	4	Hexagon nut DIN 934 Steel Zinc plated M8	01300.080.001	50211465
6	16	Plain washer DIN 125-1A Steel Zinc plated 140 HV M8	38130.080.001	50211405
5	12	Hexagon head screw ISO 4017 Steel Zinc plated 8.8 M8X16	1210080016	50211152
4	4	Hexagon head screw ISO 4017 Steel Zinc plated 8.8 M8X120	1210080120	50211166
3	4	Lithium Ultra Fixation Clamp - Lithium Battery - Power Advanced 12 V   140 Ah	6058P249563	40291285
2	2	Battery Lithium Power Smart Connect 12 V - 140 Ah	6058A220010	40291210
1	2	Bottom Fixation - Lithium Battery - Power Advanced 12 V   140 Ah	6058P249562	40291284

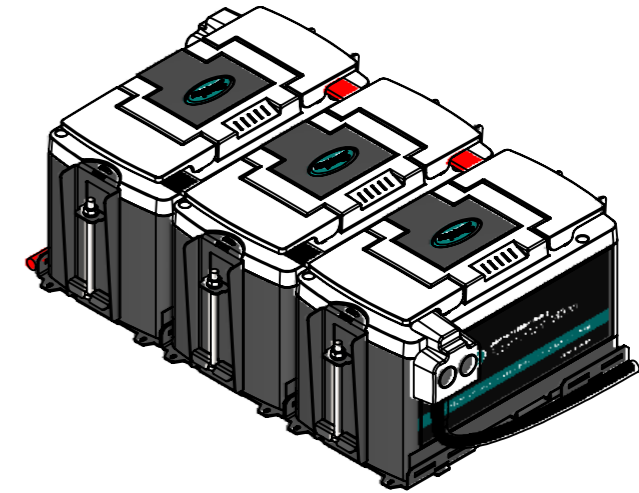
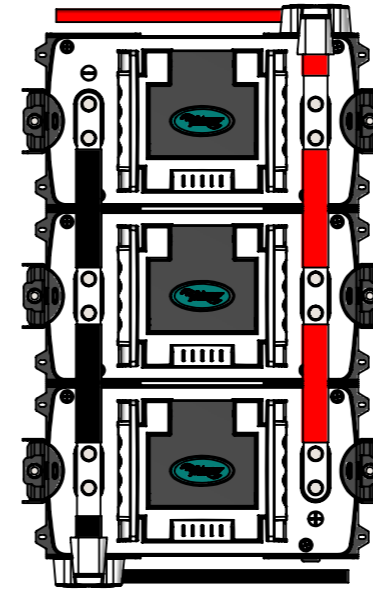
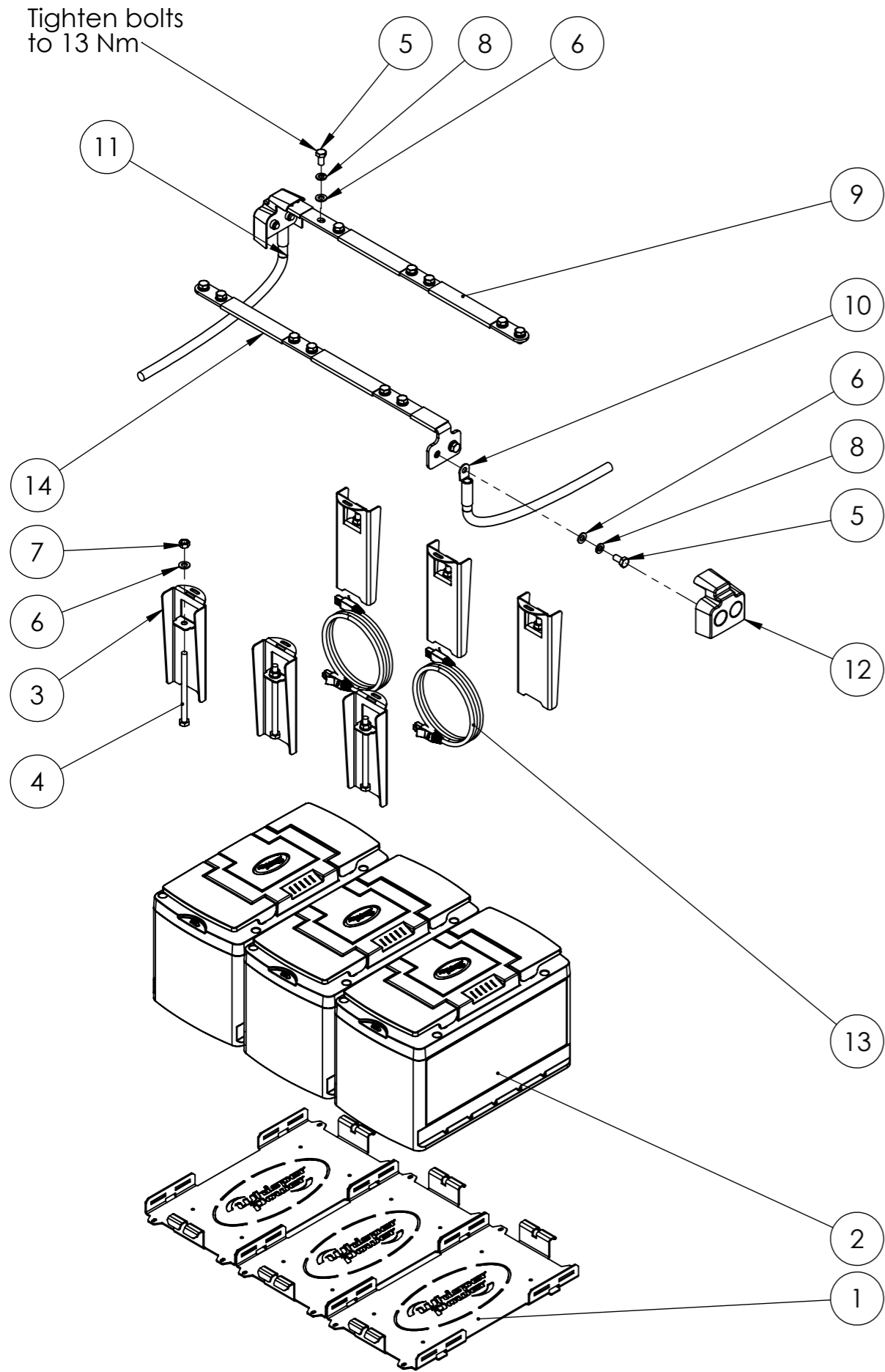
ITEM NO.	QTY.	DESCRIPTION	DRAWING	ARTICLE No.
UNLESS OTHERWISE SPECIFIED: CHAMFER SHARP EDGES GENERAL TOLERANCE NEN ISO 2768-m FORM AND PLACE TOLERANCES NEN-ISO 1101 WELDING SYMBOL NEN EN 22553 ROUGHNESS ACC. to NEN3634		TOLERANCE PRINCIPLE ISO 8015	FINISH: -	DO NOT SCALE DRAWING
		PROJECTION : THIRD ANGLE UNITS : mm	Material:	SHEET FORMAT: <b>A3</b>
				TITLE: <b>Battery Config. 1S2P_12V-280Ah</b>
	NAME	SIGNATURE	DATE	STATUS: <b>Released</b>
DRAWN	M.B.		16-7-2024	
CHK'D	M.B.		03-09-2025	
				DRAWING: 6058A259823
PRINTED			4-12-2025	ARTICLE NO. <b>40291230</b>
			Weight: 4666.24 gram	REVISION
			SCALE:1:8	SHEET 1 OF 2





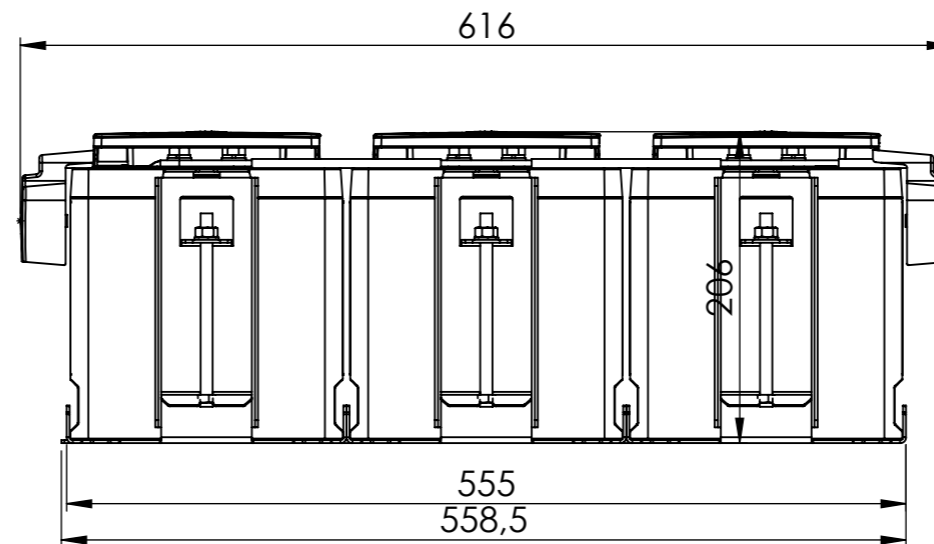
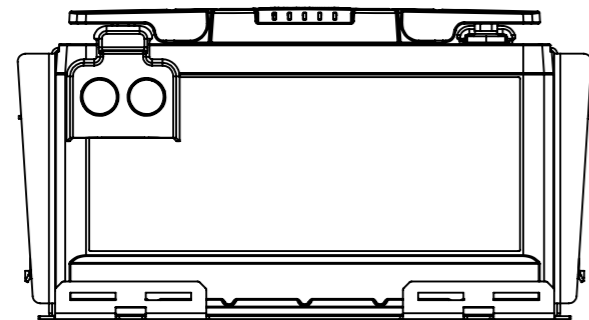
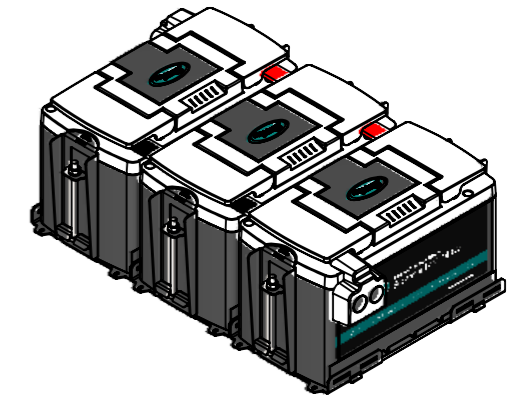
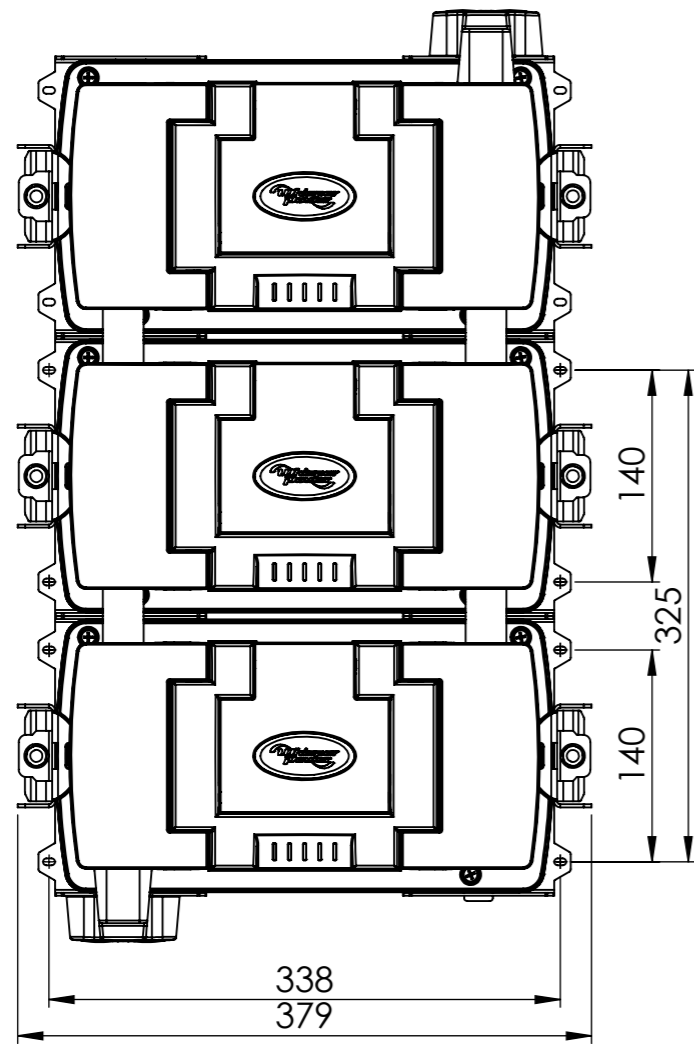
UNLESS OTHERWISE SPECIFIED: CHAMFER SHARP EDGES GENERAL TOLERANCE NEN ISO 2768-m FORM AND PLACE TOLERANCES NEN-ISO 1101 WELDING SYMBOL NEN EN 22553 ROUGHNESS ACC. to NEN3634			TOLERANCE PRINCIPLE ISO 8015		FINISH: -	DO NOT SCALE DRAWING		
			PROJECTION : THIRD ANGLE UNITS : mm		Material:	SHEET FORMAT: <b>A3</b>		
					TITLE: <b>Battery Config. 1S2P_12V-280Ah</b>			
	NAME	SIGNATURE	DATE	STATUS:	<b>Released</b>			
DRAWN	M.B.		16-7-2024					
CHK'D	M.B.		03-09-2025		DRAWING: 6058A259823		ARTICLE NO. <b>40291230</b>	REVISION
PRINTED			4-12-2025		Weight: 4666.24 gram		SCALE:1:4	SHEET 2 OF 2


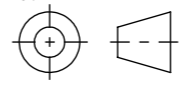
Tighten bolts to 13 Nm

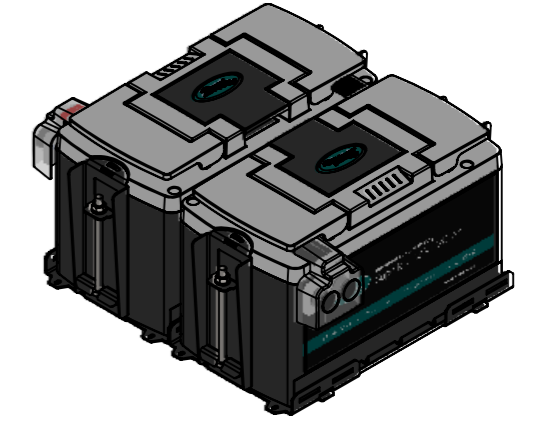
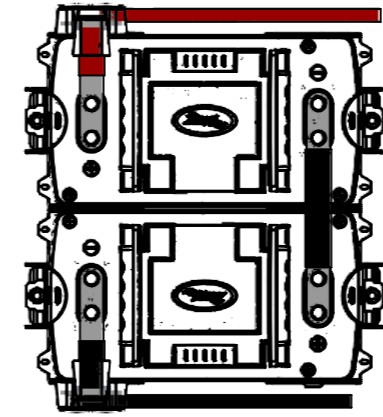
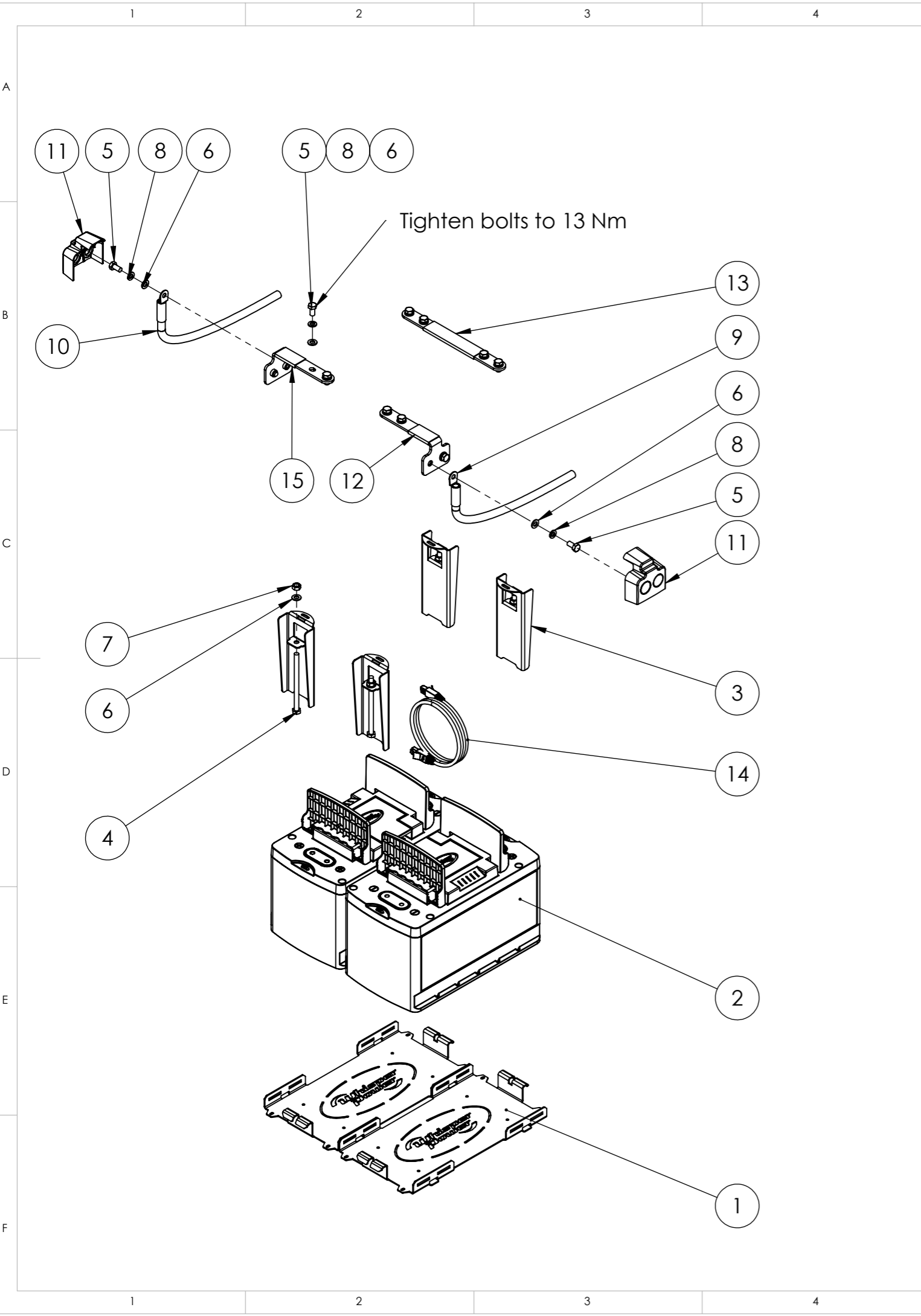


ITEM NO.	QTY.	DESCRIPTION	DRAWING	ARTICLE No.
14	1	Link bar 90° 3batt - Isolated black (negative)	6058A2510168	NOT_REQUIRED
13	2	Whisper Connect Patch Cable 1,5 mtr.	6058P2510096	40290352
12	2	Protection Cap Busbar Connection Assy	6058A2510079	NOT_REQUIRED
11	1	Battery Cable 50 mm² - 1.5 m red	6058 Battery Cable 50 mm² - 1.5 m red	NOT_REQUIRED
10	1	Battery Cable 50 mm² - 1.5 m Black	6058 Battery Cable 50 mm² - 1.5 m Black	NOT_REQUIRED
9	1	Link bar 90 3batt - Isolated Red (positive)	6058A2510170	NOT_REQUIRED
8	16	Spring lock washer with square ends DIN T27 B Spring steel Zinc plated M8	37020.080.001	50211445
7	6	Hexagon nut DIN 934 Steel Zinc plated M8	01300.080.001	50211465
6	22	Plain washer DIN 125-1A Steel Zinc plated 140 HV M8	38130.080.001	50211405
5	16	Hexagon head screw ISO 4017 Steel Zinc plated 8.8 M8X16	1210080016	50211152
4	6	Hexagon head screw ISO 4017 Steel Zinc plated 8.8 M8X120	1210080120	50211166
3	6	Lithium Ultra Fixation Clamp - Lithium Battery - Power Advanced 12 V   140 Ah	6058P249563	40291285
2	3	Battery Lithium Power Smart Connect 12 V - 140 Ah	6058A220010	40291210
1	3	Bottom Fixation - Lithium Battery - Power Advanced 12 V   140 Ah	6058P249562	40291284

UNLESS OTHERWISE SPECIFIED: CHAMFER SHARP EDGES GENERAL TOLERANCE NEN ISO 2768-m FORM AND PLACE TOLERANCES NEN-ISO 1101 WELDING SYMBOL NEN EN 22553 ROUGHNESS ACC. to NEN3634		TOLERANCE PRINCIPLE ISO 8015	FINISH: -	DO NOT SCALE DRAWING	
PROJECTION : THIRD ANGLE UNITS : mm		Material:	SHEET FORMAT: <b>A3</b>	TITLE: <b>Battery Config. 1S3P_12V-420Ah</b>	
NAME	SIGNATURE	DATE	STATUS: <b>Released</b>	ARTICLE NO. <b>40291270</b>	REVISION
DRAWN M.B.		16-7-2024			
CHK'D M.B.		03-12-2025			
PRINTED		4-12-2025	DRAWING: 6058A2510167	SCALE:1:8	SHEET 1 OF 2
Weight: 6899.45 gram					

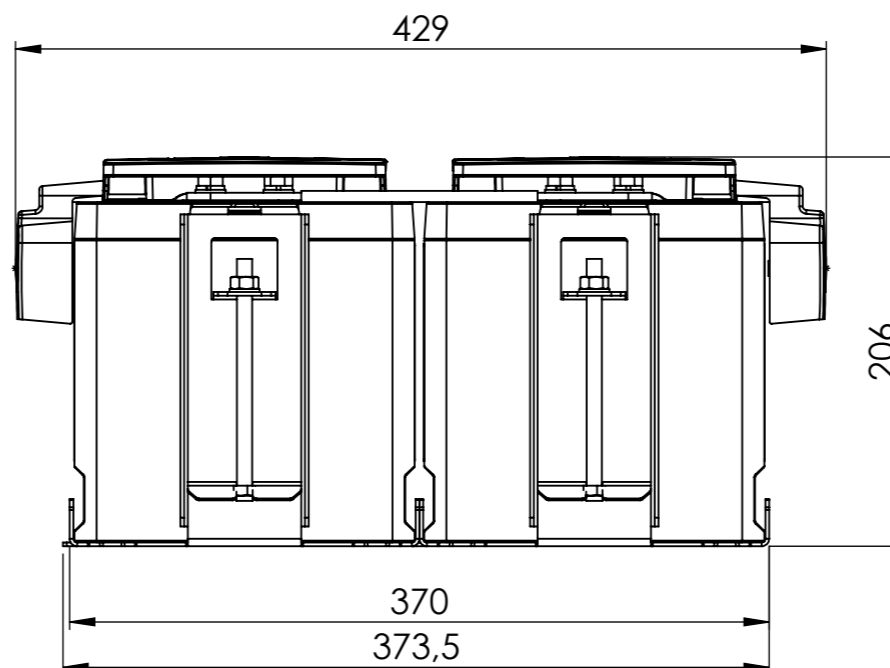
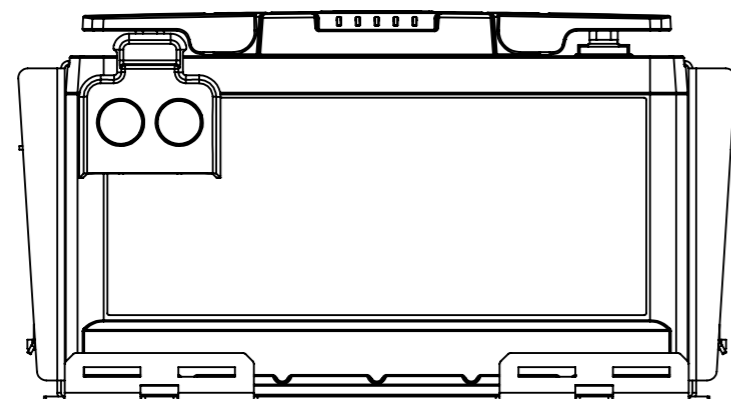
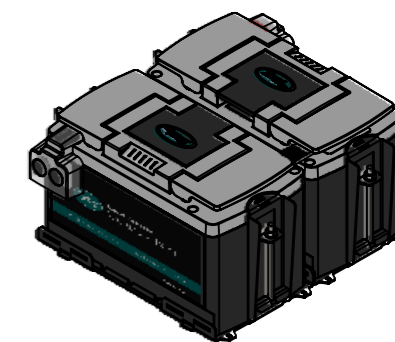
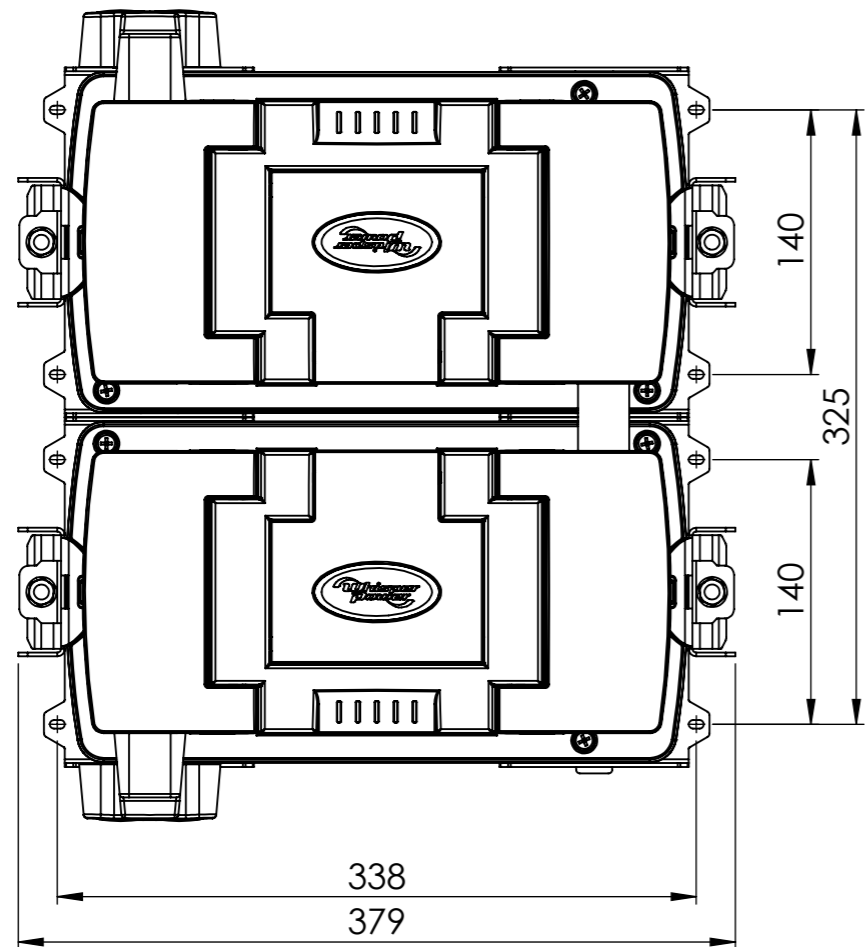



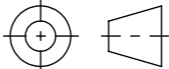
UNLESS OTHERWISE SPECIFIED: CHAMFER SHARP EDGES GENERAL TOLERANCE NEN ISO 2768-m FORM AND PLACE TOLERANCES NEN-ISO 1101 WELDING SYMBOL NEN EN 22553 ROUGHNESS ACC. to NEN3634			TOLERANCE PRINCIPLE ISO 8015		FINISH: -	DO NOT SCALE DRAWING	
			PROJECTION : THIRD ANGLE UNITS : mm		Material:	SHEET FORMAT: <b>A3</b>	
					TITLE: <b>Battery Config. 1S3P_12V-420Ah</b>		
	NAME	SIGNATURE	DATE	STATUS:	<b>Released</b>		
DRAWN	M.B.		16-7-2024				
CHK'D	M.B.		03-12-2025		ARTICLE NO. <b>40291270</b>		
PRINTED			4-12-2025	DRAWING: 6058A2510167	SCALE:1:5		REVISION
Weight: 6899.45 gram					SHEET 2 OF 2		



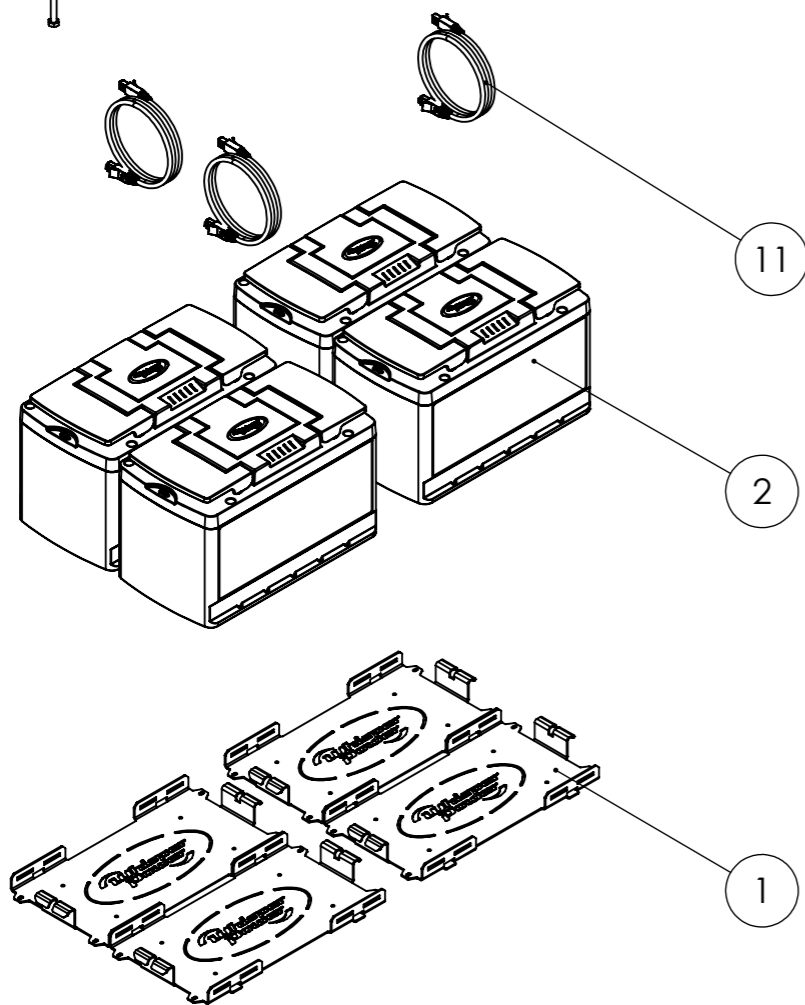
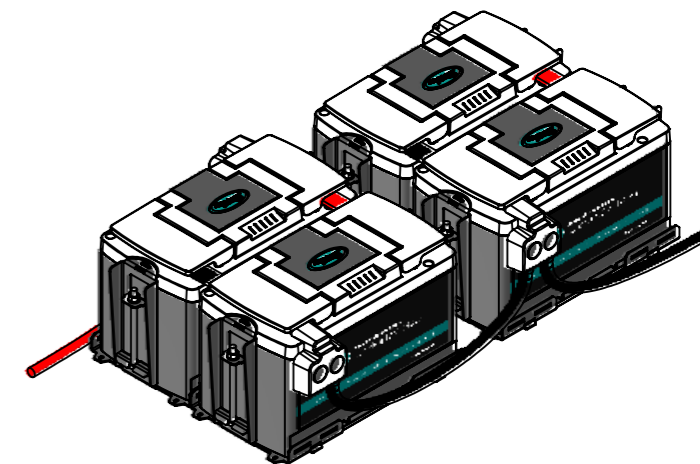
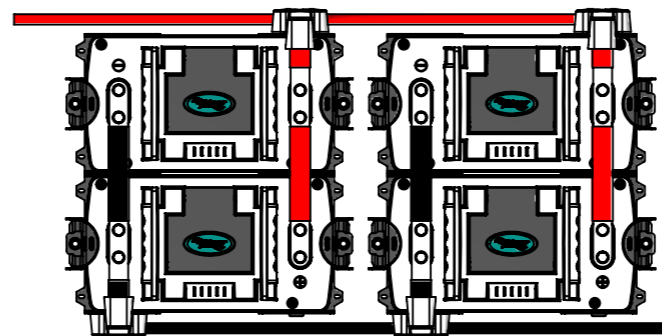
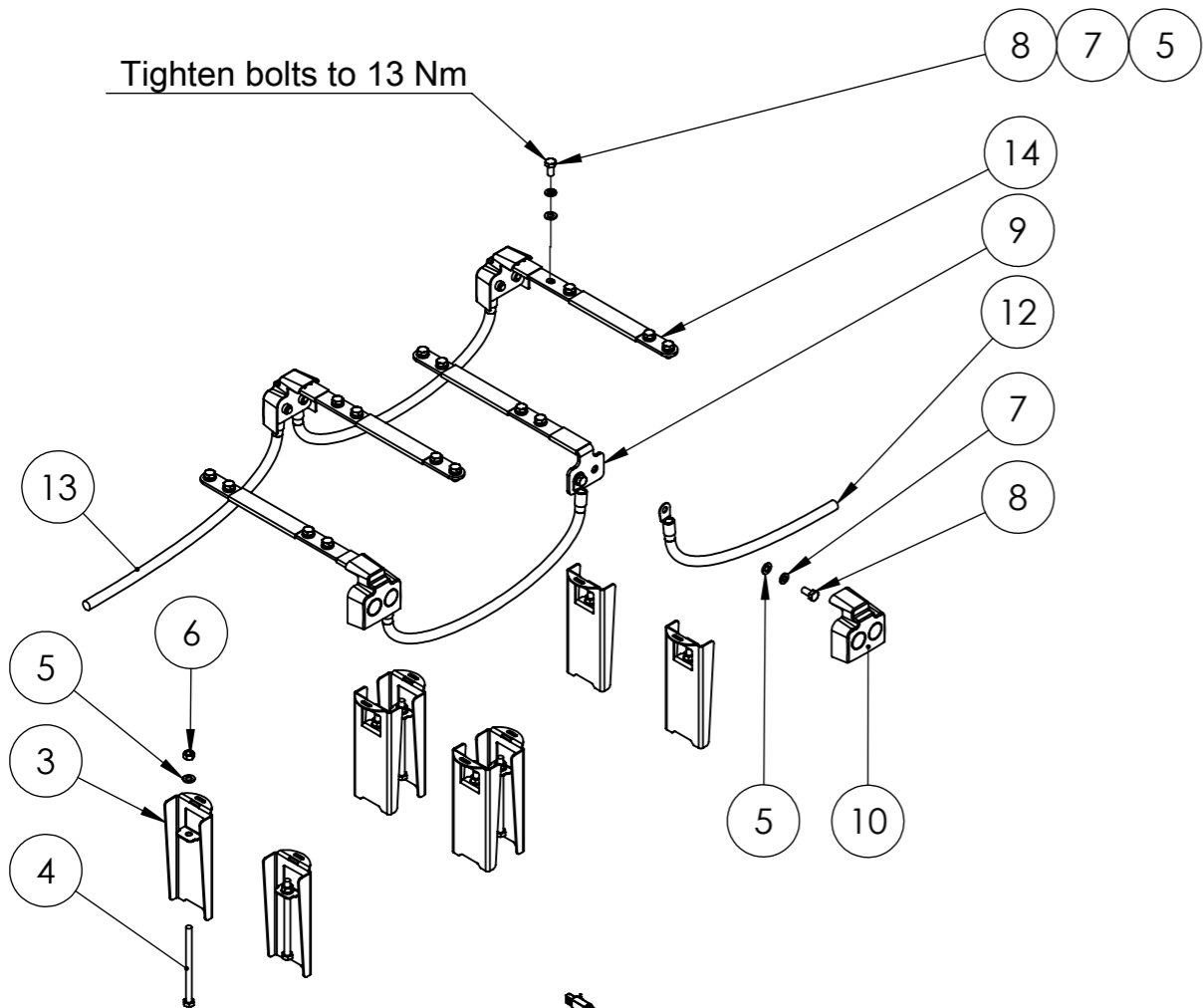
ITEM NO.	QTY.	DESCRIPTION	DRAWING	ARTICLE No.
15	1	Link bar 90° - Isolated Red Positive	6058A2510126	NOT REQUIRED
14	1	Whisper Connect Patch Cable 0,5 mtr	6058P2510095	40290351
13	1	Superieur busbar - isolated	6058A2510128	40291281
12	1	Link bar 90° - Isolated Black Negative	6058A2510125	NOT_REQUIRED
11	2	Protection Cap Busbar Connection Assy	6058A2510079	NOT_REQUIRED
10	1	Battery Cable 50 mm² - 1.5 m red	6058 Battery Cable 50 mm² - 1.5 m red	NOT_REQUIRED
9	1	Battery Cable 50 mm² - 1.5 m Black	6058 Battery Cable 50 mm² - 1.5 m Black	NOT_REQUIRED
8	12	Spring lock washer with square ends DIN T27 B Spring steel Zinc plated M8	37020.080.001	50211445
7	4	Hexagon nut DIN 934 Steel Zinc plated M8	01300.080.001	50211465
6	16	Plain washer DIN 125-1A Steel Zinc plated 140 HV M8	38130.080.001	50211405
5	12	Hexagon head screw ISO 4017 Steel Zinc plated 8.8 M8X16	1210080016	50211152
4	4	Hexagon head screw ISO 4017 Steel Zinc plated 8.8 M8X120	1210080120	50211166
3	4	Lithium Ultra Fixation Clamp - Lithium Battery - Power Advanced 12 V   140 Ah	6058P249563	40291285
2	2	Battery Lithium Power Smart Connect 12 V - 140 Ah	6058A220010	40291210
1	2	Bottom Fixation - Lithium Battery - Power Advanced 12 V   140 Ah	6058P249562	40291284

UNLESS OTHERWISE SPECIFIED: CHAMFER SHARP EDGES GENERAL TOLERANCE NEN ISO 2768-m FORM AND PLACE TOLERANCES NEN-ISO 1101 WELDING SYMBOL NEN EN 22553 ROUGHNESS ACC. to NEN3634		TOLERANCE PRINCIPE ISO 8015	FINISH: -	DO NOT SCALE DRAWING	
PROJECTION : THIRD ANGLE UNITS : mm		Material:	SHEET FORMAT: <b>A3</b>	TITLE: <b>Battery Config. 2S1P_24V-140Ah</b>	
NAME	SIGNATURE	DATE	STATUS: <b>Released</b>	ARTICLE NO. <b>40291250</b>	REVISION
DRAWN M.B.		16-7-2024			
CHK'D M.B.		03-09-2025			
PRINTED		5-11-2025	DRAWING: 6058A2510093		
Weight: 4617.83 gram			SCALE:1:8	SHEET 1 OF 2	



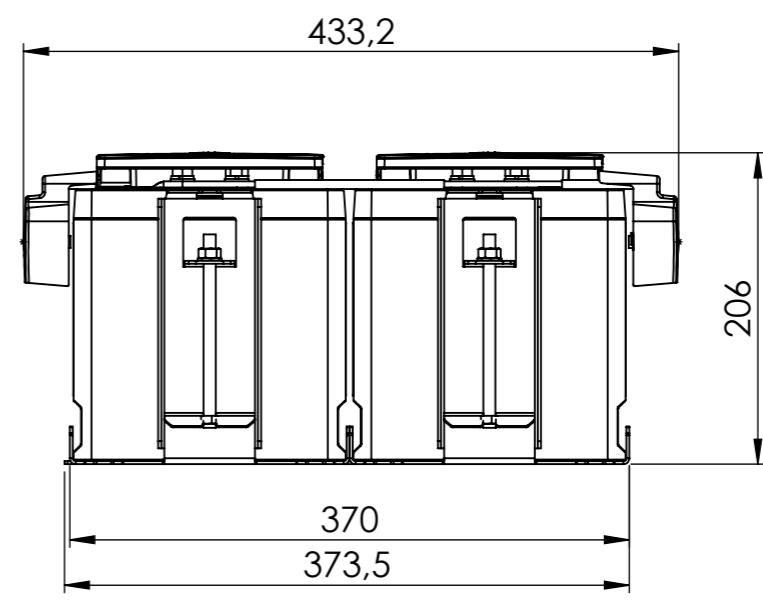
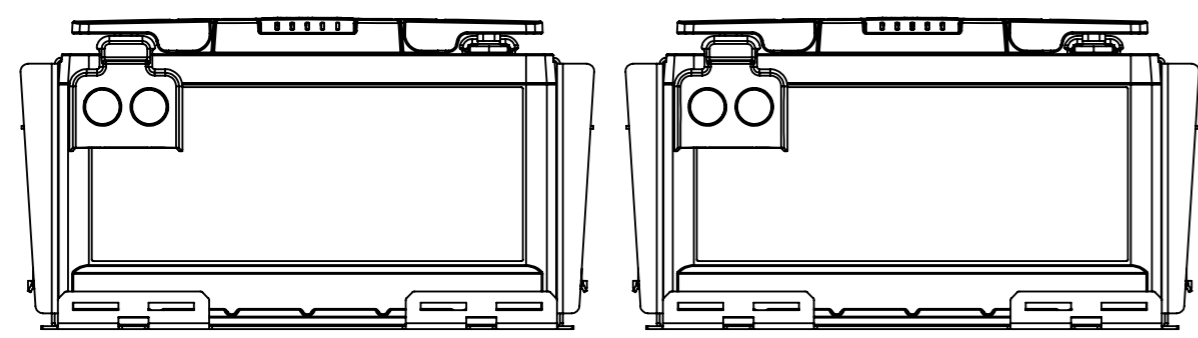
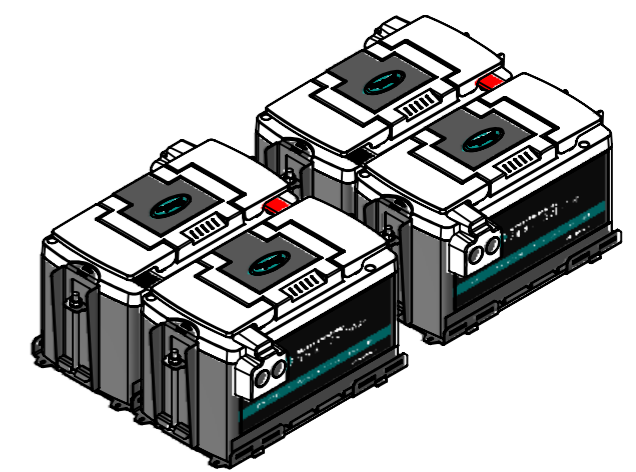
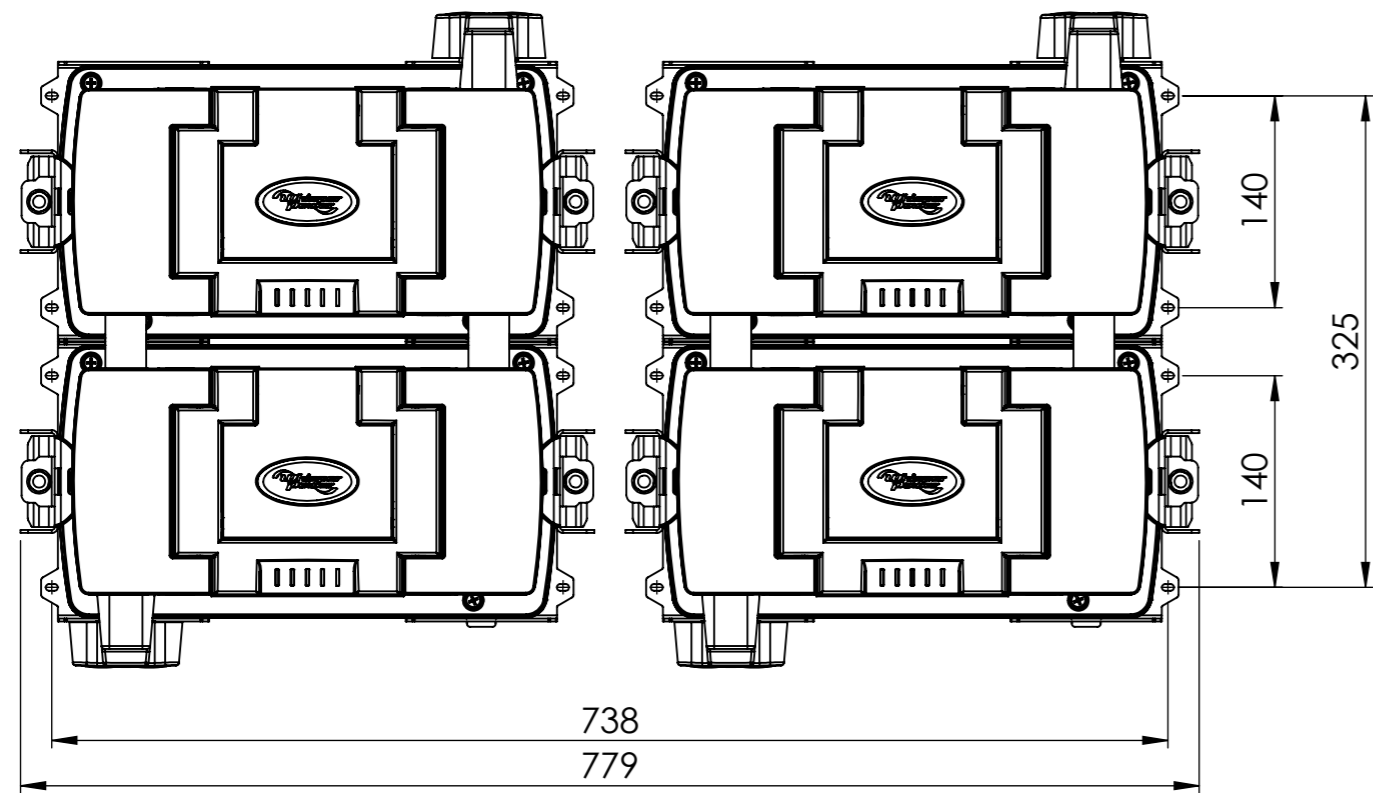
UNLESS OTHERWISE SPECIFIED: CHAMFER SHARP EDGES GENERAL TOLERANCE NEN ISO 2768-m FORM AND PLACE TOLERANCES NEN-ISO 1101 WELDING SYMBOL NEN EN 22553 ROUGHNESS ACC. to NEN3634			TOLERANCE PRINCIPLE ISO 8015		FINISH: -	DO NOT SCALE DRAWING	
			PROJECTION : THIRD ANGLE UNITS : mm		Material:	SHEET FORMAT: <b>A3</b>	
					<b>Released</b>		TITLE: <b>Battery Config. 2S1P_24V-140Ah</b>
	NAME	SIGNATURE	DATE	STATUS:	ARTICLE NO. <b>40291250</b>		
DRAWN	M.B.		16-7-2024	DRAWING: 6058A2510093	REVISION		
CHK'D	M.B.		03-09-2025				
PRINTED			5-11-2025	Weight: 4617.83 gram	SCALE:1:4	SHEET 2 OF 2	


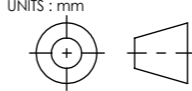
Tighten bolts to 13 Nm

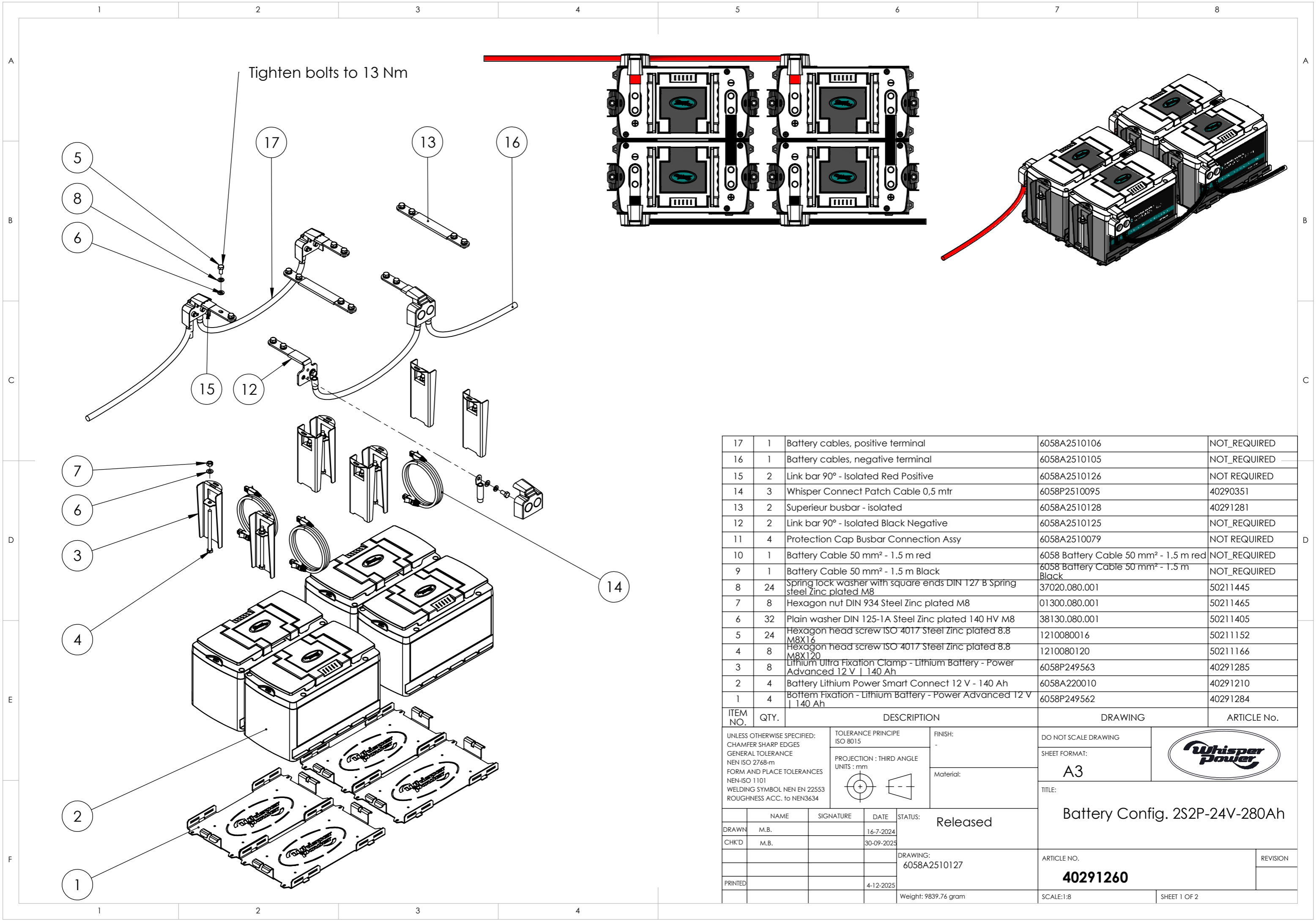


ITEM NO.	QTY.	DESCRIPTION	DRAWING	ARTICLE No.
14	2	Link bar 90 2batt - Isolated (positive)	6058A249715	NOT_REQUIRED
13	1	Battery cables, positive terminal	6058A2510106	NOT_REQUIRED
12	1	Battery cables, negative terminal	6058A2510105	NOT_REQUIRED
11	3	Whisper Connect Patch Cable 1,5 mtr.	6058P2510096	40290352
10	4	Protection Cap Busbar Connection Assy	6058A2510079	NOT_REQUIRED
9	2	Link bar 90° 2batt - Isolated black (negative)	6058A2510122	NOT_REQUIRED
8	24	Hexagon head screw ISO 4017 Steel Zinc plated 8.8 M8X16	1210080016	50211152
7	24	Spring lock washer with square ends DIN 127 B Spring steel Zinc plated M8	37020.080.001	50211445
6	8	Hexagon nut DIN 934 Steel Zinc plated M8	01300.080.001	50211465
5	32	Plain washer DIN 125-1A Steel Zinc plated 140 HV M8	38130.080.001	50211405
4	8	Hexagon head screw ISO 4017 Steel Zinc plated 8.8 M8X120	1210080120	50211166
3	8	Lithium Ultra Fixation Clamp - Lithium Battery - Power Advanced 12 V   140 Ah	6058P249563	40291285
2	4	Battery Lithium Power Smart Connect 12 V - 140 Ah	6058A220010	40291210
1	4	Bottom Fixation - Lithium Battery - Power Advanced 12 V   140 Ah	6058P249562	40291284

UNLESS OTHERWISE SPECIFIED: CHAMFER SHARP EDGES GENERAL TOLERANCE NEN ISO 2768-m FORM AND PLACE TOLERANCES NEN-ISO 1101 WELDING SYMBOL NEN EN 22553 ROUGHNESS ACC. to NEN3634		TOLERANCE PRINCIPLE ISO 8015	FINISH: -	DO NOT SCALE DRAWING	
PROJECTION : THIRD ANGLE UNITS : mm		Material:	SHEET FORMAT: <b>A3</b>	TITLE: <b>Battery Config. 1S2P_12V-560Ah</b>	
NAME	SIGNATURE	DATE	STATUS: <b>Released</b>	ARTICLE NO. <b>40291240</b>	
DRAWN M.B.		29-9-2025	DRAWING: 6058A2510104	REVISION	
CHK'D M.B.		29-09-2025			
PRINTED		4-12-2025	Weight: 67887.49 gram	SCALE:1:10	SHEET 1 OF 2



UNLESS OTHERWISE SPECIFIED: CHAMFER SHARP EDGES GENERAL TOLERANCE NEN ISO 2768-m FORM AND PLACE TOLERANCES NEN-ISO 1101 WELDING SYMBOL NEN EN 22553 ROUGHNESS ACC. to NEN3634				TOLERANCE PRINCIPLE ISO 8015		FINISH: -		DO NOT SCALE DRAWING		
				PROJECTION : THIRD ANGLE UNITS : mm		Material:		SHEET FORMAT: <b>A3</b>		
						Status: <b>Released</b>		TITLE: <b>Battery Config. 1S2P_12V-560Ah</b>		
DRAWN		M.B.		DATE		29-9-2025		ARTICLE NO. <b>40291240</b>		REVISION
CHK'D		M.B.		DATE		29-09-2025		SCALE:1:5		SHEET 2 OF 2
PRINTED				DATE		4-12-2025		DRAWING: 6058A2510104		
						Weight: 67887.49 gram				

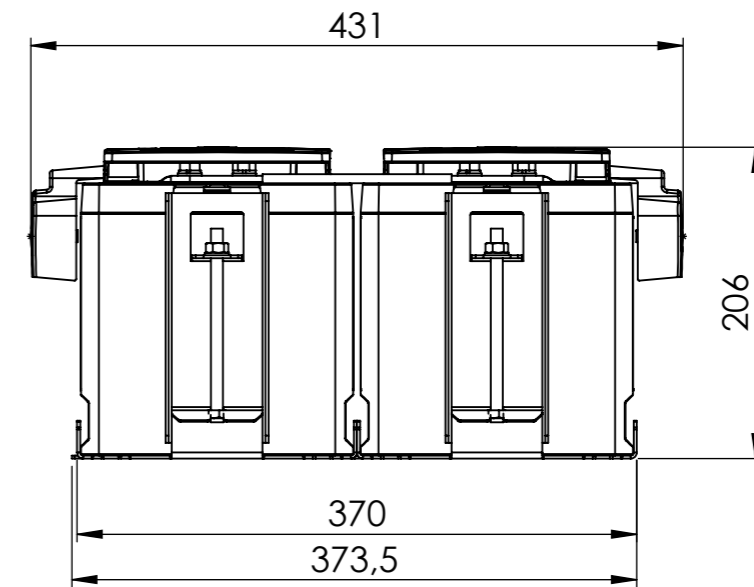
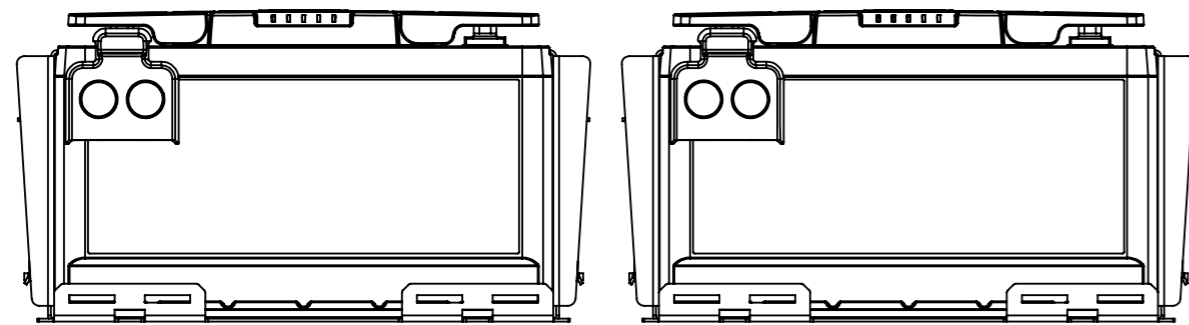
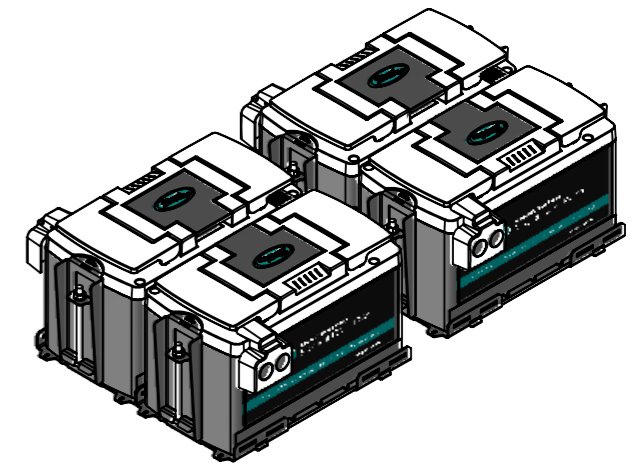
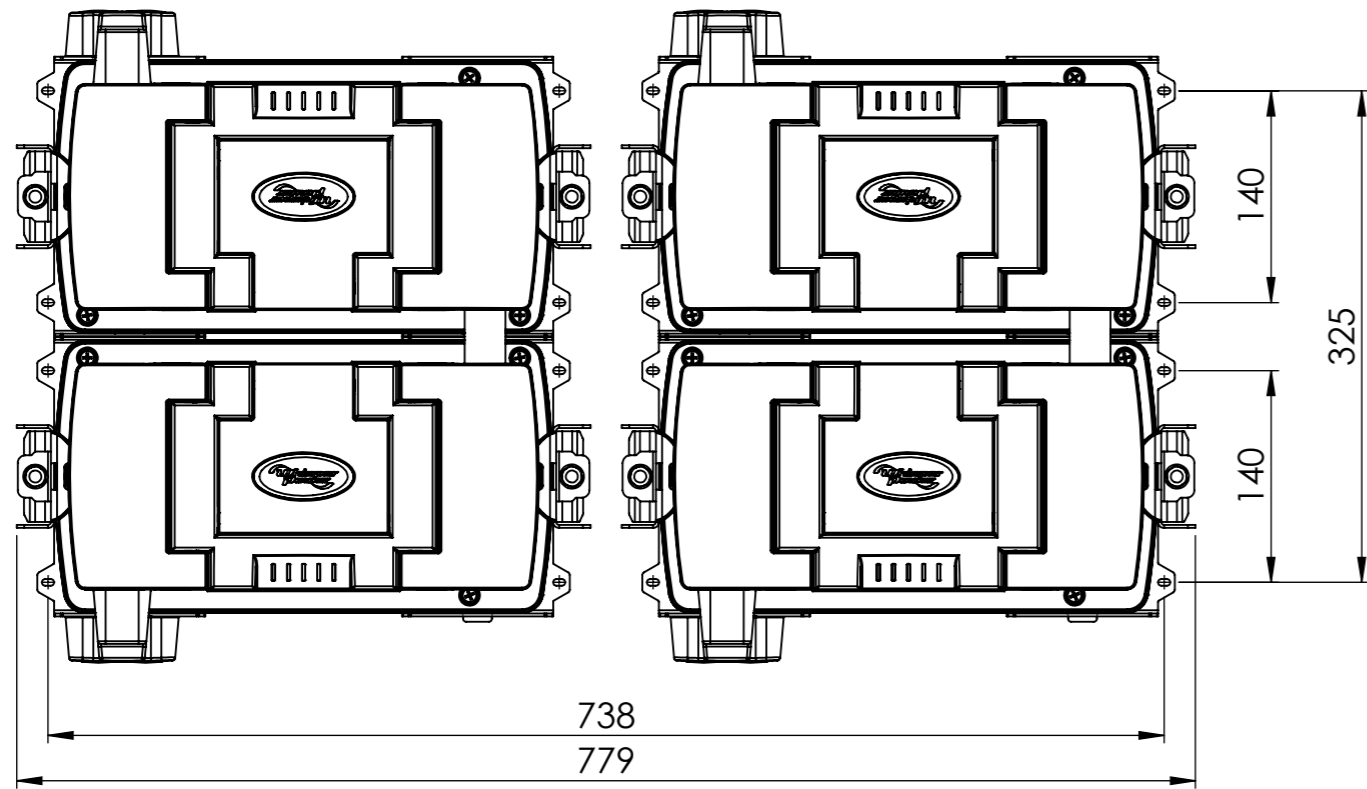



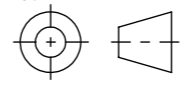
Tighten bolts to 13 Nm

17	1	Battery cables, positive terminal	6058A2510106	NOT_REQUIRED
16	1	Battery cables, negative terminal	6058A2510105	NOT_REQUIRED
15	2	Link bar 90° - Isolated Red Positive	6058A2510126	NOT_REQUIRED
14	3	Whisper Connect Patch Cable 0,5 mtr	6058P2510095	40290351
13	2	Superieur busbar - isolated	6058A2510128	40291281
12	2	Link bar 90° - Isolated Black Negative	6058A2510125	NOT_REQUIRED
11	4	Protection Cap Busbar Connection Assy	6058A2510079	NOT_REQUIRED
10	1	Battery Cable 50 mm² - 1.5 m red	6058 Battery Cable 50 mm² - 1.5 m red	NOT_REQUIRED
9	1	Battery Cable 50 mm² - 1.5 m Black	6058 Battery Cable 50 mm² - 1.5 m Black	NOT_REQUIRED
8	24	Spring lock washer with square ends DIN T27 B Spring steel Zinc plated M8	37020.080.001	50211445
7	8	Hexagon nut DIN 934 Steel Zinc plated M8	01300.080.001	50211465
6	32	Plain washer DIN 125-1A Steel Zinc plated 140 HV M8	38130.080.001	50211405
5	24	Hexagon head screw ISO 4017 Steel Zinc plated 8.8 M8X16	1210080016	50211152
4	8	Hexagon head screw ISO 4017 Steel Zinc plated 8.8 M8X120	1210080120	50211166
3	8	Lithium Ultra Fixation Clamp - Lithium Battery - Power Advanced 12 V   140 Ah	6058P249563	40291285
2	4	Battery Lithium Power Smart Connect 12 V - 140 Ah	6058A220010	40291210
1	4	Bottom Fixation - Lithium Battery - Power Advanced 12 V   140 Ah	6058P249562	40291284

ITEM NO.	QTY.	DESCRIPTION	DRAWING	ARTICLE No.
UNLESS OTHERWISE SPECIFIED: CHAMFER SHARP EDGES GENERAL TOLERANCE NEN ISO 2768-m FORM AND PLACE TOLERANCES NEN-ISO 1101 WELDING SYMBOL NEN EN 22553 ROUGHNESS ACC. to NEN3634		TOLERANCE PRINCIPLE ISO 8015	FINISH: -	DO NOT SCALE DRAWING
		PROJECTION : THIRD ANGLE UNITS : mm	Material:	SHEET FORMAT: <b>A3</b>
				TITLE: <b>Battery Config. 2S2P-24V-280Ah</b>
	NAME	SIGNATURE	DATE	STATUS: <b>Released</b>
DRAWN	M.B.		16-7-2024	
CHK'D	M.B.		30-09-2025	
				DRAWING: 6058A2510127
PRINTED			4-12-2025	ARTICLE NO. <b>40291260</b>
			Weight: 9839.76 gram	REVISION
			SCALE:1:8	SHEET 1 OF 2





UNLESS OTHERWISE SPECIFIED: CHAMFER SHARP EDGES GENERAL TOLERANCE NEN ISO 2768-m FORM AND PLACE TOLERANCES NEN-ISO 1101 WELDING SYMBOL NEN EN 22553 ROUGHNESS ACC. to NEN3634				TOLERANCE PRINCIPLE ISO 8015		FINISH: -		DO NOT SCALE DRAWING		
				PROJECTION : THIRD ANGLE UNITS : mm		Material:		SHEET FORMAT: <b>A3</b>		
								TITLE: <b>Battery Config. 2S2P-24V-280Ah</b>		
	NAME	SIGNATURE	DATE	STATUS: <b>Released</b>				ARTICLE NO. <b>40291260</b>		REVISION
DRAWN	M.B.		16-7-2024							
CHK'D	M.B.		30-09-2025							
PRINTED			4-12-2025			DRAWING: 6058A2510127				
				Weight: 9839.76 gram				SCALE:1:5		SHEET 2 OF 2