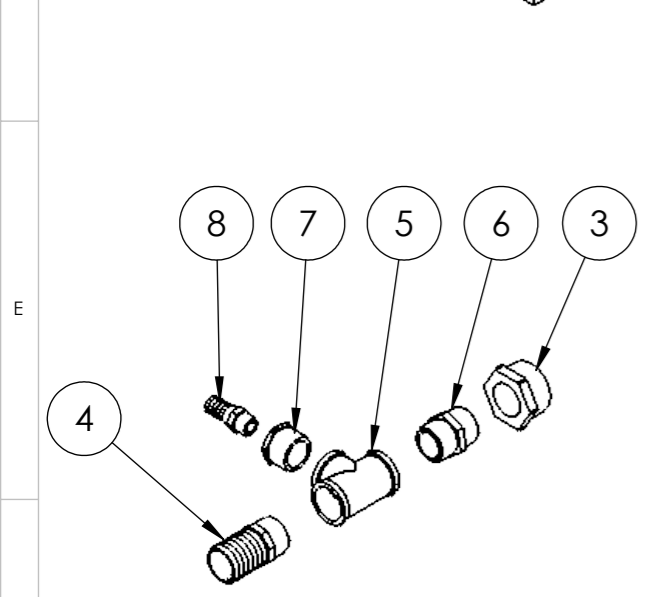
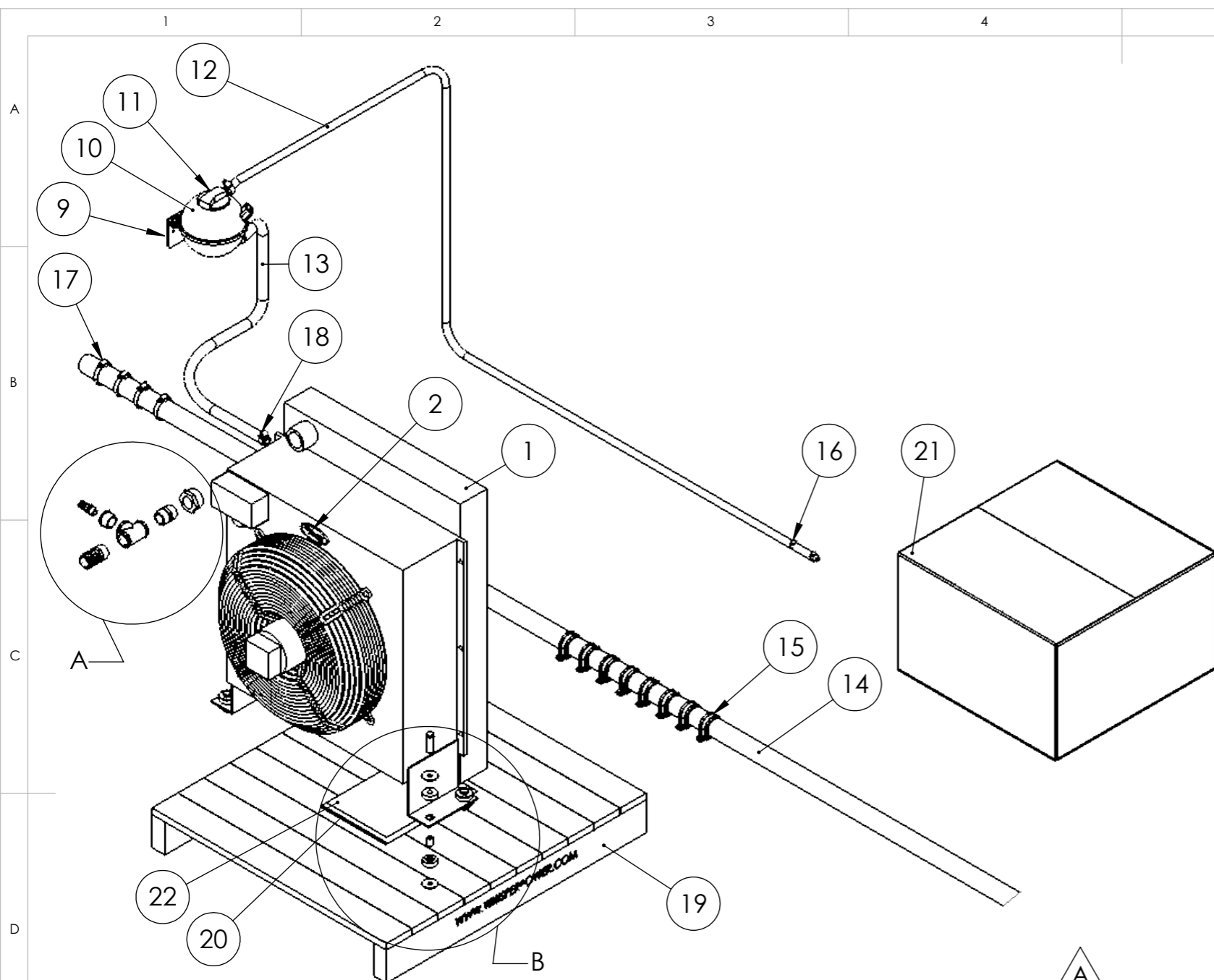
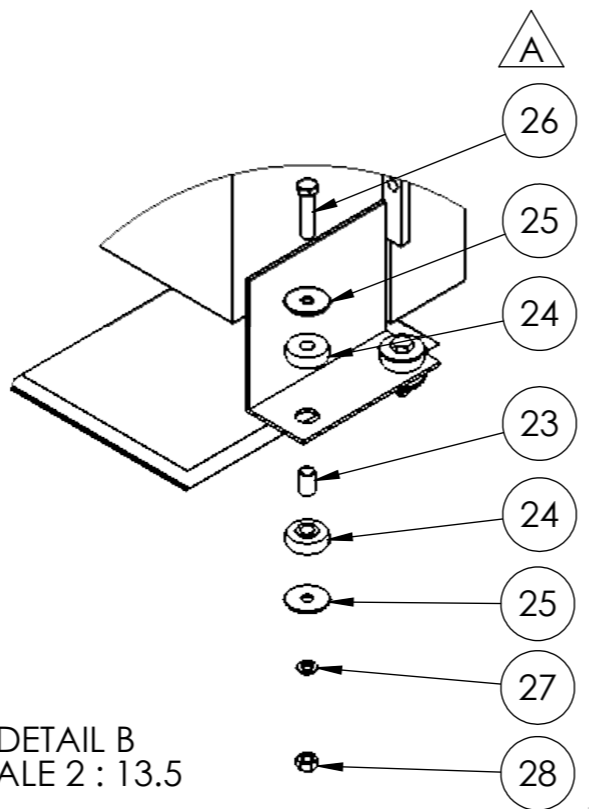


| REV. | DESCRIPTION                                      | DATE       | REV. BY |
|------|--|------------|---------|
| A    | Trill demp 50201131 vervallen, originele rubbers | 13-11-2023 | JK      |



DETAIL A  
SCALE 2 : 13.5



DETAIL B  
SCALE 2 : 13.5

|    |   |  |                               |              |
|----|---|--|-------------------------------|--------------|
| 28 | 4 | Hexagon nut DIN 934 Steel Zinc plated M10                                  | 01300.100.001                 | 50211466     |
| 27 | 4 | Spring lock washer with square ends DIN 127 B Spring steel Zinc plated M10 | 37.020.100.001                | 50211447     |
| 26 | 4 | Hexagon head bolt DIN 931 Steel Zinc plated 8.8 M10X50/S=17                | 01200.100.050                 | 50211173     |
| 25 | 8 | Ring 10-40-2-5 Foundation Rad  | 7050P239003                   | Included     |
| 24 | 8 | Foundation rubber Rad  | 7050P239002                   | Included     |
| 23 | 4 | Bushing Foundation Rad   | 7050P239004                   | Included     |
| 22 | 1 | Instruction Cooling kit engine 11-4 AP730EB-230V                           | 7050P239033                   | 40301897     |
| 21 | 1 | Carton WP 550x550x330 - Accessoires  | 1001P173567                   | 40231103     |
| 20 | 1 | Resealable plastic bag 230x320   | 1001P173522                   | 50231201     |
| 19 | 1 | Pallet 850x700 closed  | 4000P216561                   | NOT REQUIRED |
| 18 | 2 | Hose clamp stainless 20-32mm   | 1014P142271                   | 50221502     |
| 17 | 4 | Hose Clamp Stainless Steel 50mm  | 50221504                      | 50221504     |
| 16 | 2 | Hose Clamp RVS 16  | 50221522 Slangklem RVS 16     | 50221522     |
| 15 | 8 | HOSE SUPPORT STAINLESS 45X20 MM  | 50221597 Clamp 45             | 50221597     |
| 14 | 1 | Hose cooling 1 1/4 35x45 L 6000mm  | 1001P173565                   | 50220013     |
| 13 | 1 | Cooling water hose smooth  | 7050P142270                   | 50220058     |
| 12 | 1 | Hose hydraulic 7,9x15mm L=4000   | 1014P142275                   | 50220005     |
| 11 | 1 | Cap for Expansion Tank   | 50230561                      | 50230561     |
| 10 | 1 | Expansion Tank Excluding Cap CN  | 50230564                      | 50230564     |
| 9  | 1 | Mounting Bracket Expansion Tank CN   | SW-010960                     | 50230565     |
| 8  | 1 | Hose Connector M 3/8 x 16mm  | 50221005                      | 50221005     |
| 7  | 1 | straight reducer 1-3/8   | 751P149050                    | 50221106     |
| 6  | 1 | MALE NIPPLE 1  | 50221064                      | 50221064     |
| 5  | 1 | T-stuk 1 inch BiBiBi   | 50221043 T-stuk 1 inch BiBiBi | 50221044     |
| 4  | 2 | Hose connector F 1"x35   | 50221014                      | 50221014     |
| 3  | 2 | VERLOOPRING 1 1/2 - 1  | 50221142                      | 50221107     |
| 2  | 1 | Whisper Power Logo 2015 95mm   | 9003P152794                   | 40200950     |
| 1  | 1 | Radiator cooler AP730-EB 230VAC  | 1000P142190                   | 50230511     |

| ITEM NO.                    | QTY.      | DESCRIPTION              | DRAWING                    | ARTICLE No.                                 |
|-----------------------------|-----------|--------------------------|----------------------------|---|
| UNLESS OTHERWISE SPECIFIED: |           | TOLERANCE PRINCIPE       | FINISH:                    | DO NOT SCALE DRAWING                        |
| CHAMFER SHARP EDGES         |           | ISO 8015                 | -                          | SHEET FORMAT:                               |
| GENERAL TOLERANCES          |           | PROJECTION : THIRD ANGLE | Material:                  | A3  |
| NEN ISO 2768-m              |           | UNITS : mm               |                            | TITLE:                                      |
| FORM AND PLACE TOLERANCES   |           |                          |                            | RADIATOR COOLER KIT 230V W-SQ20- SQ25- SQ27 |
| NEN-ISO 1101                |           |                          |                            | ARTICLE NO.                                 |
| WELDING SYMBOL NEN EN 22553 |           |                          |                            | 40201897                                    |
| ROUGHNESS ACC. to NEN3634   |           |                          |                            | REVISION                                    |
|                             |           |                          |                            | A   |
| NAME                        | SIGNATURE | DATE                     | STATUS:                    |   |
| DRAWN J.K.                  |           | 13-11-2023               | Released                   |   |
| CHK'D J.K.                  |           | 13-11-2023               |                            |   |
| PRINTED                     |           | 13-11-2023               | DRAWING:                   |   |
|                             |           |                          | 7050A239029                |   |
|                             |           |                          | Weight: 109792.621116 gram | SCALE:1:13.5                                |
|                             |           |                          |                            | SHEET 1 OF 1                                |