

**POWERING  
WHAT KEEPS  
YOU MOVING**

**THE ULTIMATE SOLUTION FOR ENERGY STORAGE**  
**LITHIUM SUPERIEUR**



Enjoy Green Energy

[whisperpower.com](http://whisperpower.com)

## WHO WE ARE



WhisperPower, headquartered in the Netherlands, has been manufacturing grid-independent power systems since 2010, focusing on a premium performance and quality.

In addition to our diesel generators, we supply energy systems based on our in-house developed and manufactured lithium batteries, providing reliable, zero-emission DC and/ or AC electrical power.

WORLD WIDE  
DISTRIBUTION AND SUPPORT  
IN OVER 70 COUNTRIES



## SUPERIEUR THE NEW NAME FOR TOP LEVEL POWER STORAGE

Developed and engineered in the Netherlands by a team of specialists with more than 35 years of expertise in off-grid power systems, the new WhisperPower Superieur battery range represents the next step in advanced energy solutions.



The product is designed to meet the needs of both professional and recreational users and complies with the highest safety standards.

The Superieur battery can be used in quantities from 1 up to 6 units in one battery bank, for voltage configurations of 12 VDC and 24 VDC systems.

### EASY TO INSTALL

Compact design with dedicated bracket kits for easy and safe installation in mobile and marine spaces.

### EASY TO CONFIGURE

Different configurations possible 12 V and 24 V via serial and/or parallel connection.

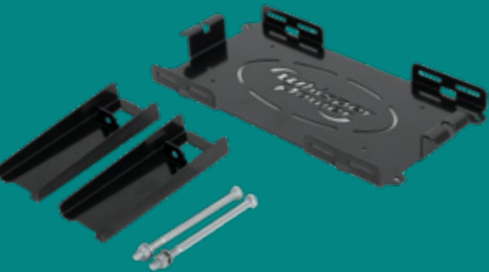
### EASY TO CONTROL

Outstanding Monitoring Options. Local Control via OctoView3, integration in third party displays or remote cloud connection.

02 | 03

Lithium Superieur | The ultimate solution for energy storage

# OUR LITHIUM SUPERIOR PHILOSOPHY



## FLEXIBILITY

Built for flexibility and scalability, each battery module can be used as a stand-alone 12 V battery, or combined in series and/or parallel to create high power and/or 24 Voltage battery banks that match your system's needs.



## GRAB THEM

It's easy as 1, 2, 3! "Grab them" is our first step! Grab one, two or three Lithium Superior batteries!



## RACK THEM

Make sets from two or three batteries, to build your power bank.



## STACK THEM

Multiply the sets of two batteries, and "stack them" to meet your power demand.



## CONNECT THEM

Finally "Connect them" for accurate read out and control

SUPERIEUR  
**Grab them**

SUPERIEUR  
**Rack them**

SUPERIEUR  
**Stack them**

SUPERIEUR  
**Connect them**

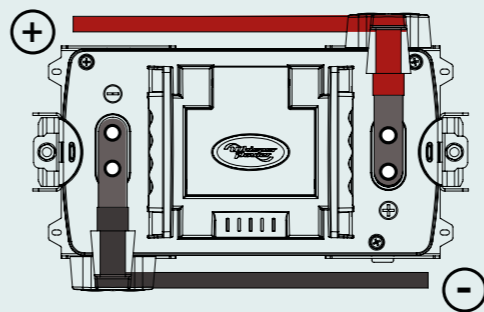
LITHIUM BATTERY SUPERIEUR

# CONFIGURATION 1

12 VDC | 140 Ah | 1848 Wh

BatteryPack (40291220) 1S/1P – Contains following items:

Art. No.	Definition	Qty.
40291210	Advanced Lithium Battery - Superieur 12 V - 140 Ah - LiFePo4 Iron Phosphate Technology (LFP)	1
40291280	Mounting kit - Bottom plate and clamps - Advanced Lithium Battery - Superieur 12 VDC - 140 Ah	1
40291290	Connection kit - 1S/1P Configuration 12 VDC - 140 Ah - Advanced Lithium Battery - Superieur	1
50212018	WP_MDC Class-T Fuseholder 50V (225-400A) - HEAVY DUTY SERIES	1
50212037	WP-LIMITROIN CLASS-T-225A FUSE - CURRENT LIMIT Fast act fuse 225A	1
40280117	OctoView 3 Inch - Starter Pack - Includes Octoview 3" panel, 6 mtr WP Connect cable, 2 Terminators	1



## LITHIUM BATTERY SUPERIEUR 12 VDC | 140 Ah | 1848 Wh

Article Number	40291220
Nominal voltage	12.0 VDC
Open Circuit Voltage	13.2 VDC
Typical Capacity	140 Ah
Minimal Capacity	135 Ah
Energy	1848 Wh
Efficiency	>99 %
Cycle Life	>3500 cycles at 1C, 80 % DoD
Cell Self-Discharge	<2 % per month
Cell Type (chemistry)	Cylindrical (LiFePo4)
Number of battery modules	1
Pack configuration	1S/1P
Weight	17.1 kg (38 lb)
Dimensions	379 x 252 x 206 mm (14.92" x 9.92" x 8.11")
Housing Protection	IP21, With additional raincover IP54

12 VDC  
140 Ah

POWER CAPACITY  
1848 Wh

SAFE  
LFP chemistry

INTERNAL  
Heating element

06 | 07

Lithium Superieur | The ultimate solution for energy storage

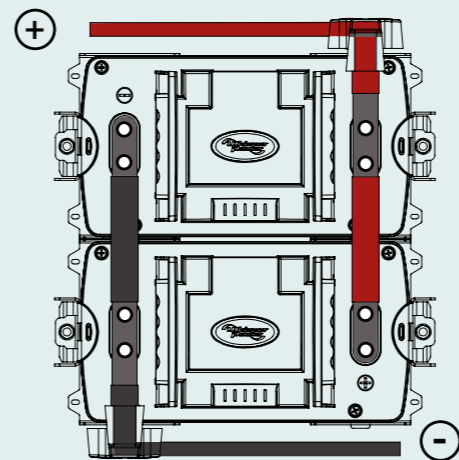
LITHIUM BATTERY SUPERIEUR

# CONFIGURATION 2

12 VDC | 280 Ah | 3696 Wh

BatteryPack (40291230) 1S/2P – Contains following items:

Art. No.	Definition	Qty.
40291210	Advanced Lithium Battery - Superieur 12 V - 140 Ah - LiFePo4 Iron Phosphate Technology (LFP)	2
40291280	Mounting kit - Bottom plate and clamps - Advanced Lithium Battery - Superieur 12 VDC - 140 Ah	2
40291291	Connection kit - 1S/2P Configuration 12 VDC - 280 Ah - Advanced Lithium Battery - Superieur	1
50212018	WP_MDC Class-T Fuseholder 50V (225-400A) - HEAVY DUTY SERIES	1
50212047	WP-LIMITROIN CLASS-T-300 CURRENT LIMIT Fast act fuse 300A	1
40280117	OctoView 3 Inch - Starter Pack - Includes Octoview 3" panel, 6 mtr WP Connect cable, 2 Terminators	1



## LITHIUM BATTERY SUPERIEUR 12 VDC | 280 Ah | 3696 Wh

Article Number	40291230
Nominal voltage	12.0 VDC
Open Circuit Voltage	13.2 VDC
Typical Capacity	280 Ah
Minimal Capacity	270 Ah
Energy	3696 Wh
Efficiency	>99 %
Cycle Life	>3500 cycles at 1C, 80 % DoD
Cell Self-Discharge	<2 % per month
Cell Type (chemistry)	Cylindrical (LiFePo4)
Number of battery modules	2
Pack configuration	1S/2P
Weight	34.0 kg (75 lb)
Dimensions	379 x 437 x 206 mm (14.92" x 17.20" x 8.11")
Housing Protection	IP21, With additional raincover IP54

12 VDC  
280 Ah

POWER CAPACITY  
3696 Wh

THE ULTIMATE  
System Solution

CONNECTS  
Cloud & MFD's

08 | 09

Lithium Superieur | The ultimate solution for energy storage

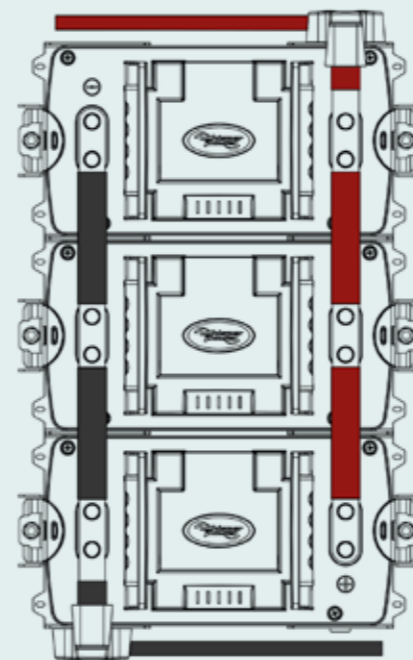
LITHIUM BATTERY SUPERIEUR

# CONFIGURATION 3

12 VDC | 420 Ah | 5544 Wh

BatteryPack (40291270) 1S/3P – Contains following items:

Art. No.	Definition	Qty.
40291210	Advanced Lithium Battery - Superieur 12 V - 140 Ah - LiFePo4 Iron Phosphate Technology (LFP)	3
40291280	Mounting kit - Bottom plate and clamps - Advanced Lithium Battery - Superieur 12 VDC - 140 Ah	3
40291293	Connection kit - 1S/3P Configuration 12 VDC - 420 Ah - Advanced Lithium Battery - Superieur	1
50212018	WP_MDC Class-T Fuseholder 50V (225-400A) - HEAVY DUTY SERIES	1
50212047	WP-LIMITROIN CLASS-T-300 CURRENT LIMIT Fast act fuse 300A	1
40280117	OctoView 3 Inch - Starter Pack - Includes Octoview 3" panel, 6 mtr WP Connect cable, 2 Terminators	1



## LITHIUM BATTERY SUPERIEUR 12 VDC | 420 Ah | 5544 Wh

Article Number	40291270
Nominal voltage	12.0 VDC
Open Circuit Voltage	13.2 VDC
Typical Capacity	420 Ah
Minimal Capacity	405 Ah
Energy	5544 Wh
Efficiency	>99 %
Cycle Life	>3500 cycles at 1C, 80 % DoD
Cell Self-Discharge	<2 % per month
Cell Type (chemistry)	Cylindrical (LiFePo4)
Number of battery modules	3
Pack configuration	1S/3P
Wheight	50.9 kg (112 lb)
Dimensions	379 x 622 x 206 mm (14.92" x 24.49" x 8.11")
Housing Protection	IP21, With additional raincover IP54

12 VDC  
420 Ah

POWER CAPACITY  
5544 Wh

THE ULTIMATE MODULAR  
System Solution

CONNECTS TO  
Cloud & MFD's

10 | 11

Lithium Superieur | The ultimate solution for energy storage

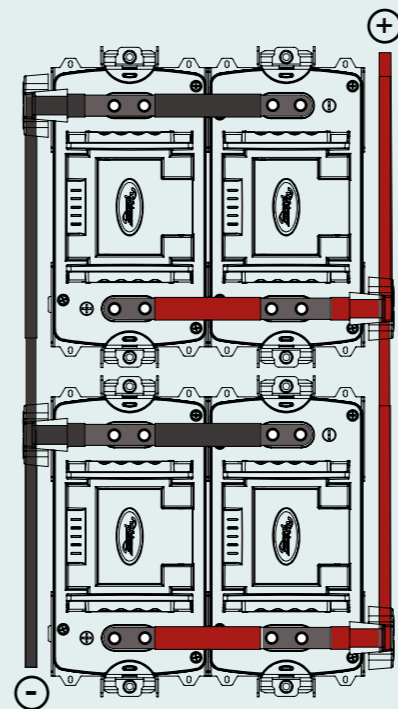
LITHIUM BATTERY SUPERIEUR

# CONFIGURATION 4

12 VDC | 560 Ah | 7392 Wh

BatteryPack (40291240) 1S/2P – Contains following items:

Art. No.	Definition	Qty.
40291210	Advanced Lithium Battery - Superieur 12 V - 140 Ah - LiFePo4 Iron Phosphate Technology (LFP)	4
40291280	Mounting kit - Bottom plate and clamps - Advanced Lithium Battery - Superieur 12 VDC - 140 Ah	4
40291291	Connection kit - 1S/2P Configuration 12 VDC - 280 Ah - Advanced Lithium Battery - Superieur	2
40291288	Battery cable + (Red) Assy - Lithium Superieur 140Ah	1
40291289	Battery cable - (Black) Assy - Lithium Superieur 140Ah	1
50212018	WP_MDC Class-T Fuseholder 50V (225-400A) HEAVY DUTY SERIES	1
???	WP-LIMITROIN CLASS-T-400 CURRENT LIMIT Fast act fuse 400A	1
40290352	Whisper Connect Patch Cable 1.5 mtr	1
40280117	OctoView 3 Inch - Starter Pack - Includes Octoview 3" panel, 6 mtr WP Connect cable, 2 Terminators	1



## LITHIUM BATTERY SUPERIEUR 12 VDC | 560 Ah | 7392 Wh

Article Number	40291240
Nominal voltage	12.0 VDC
Open Circuit Voltage	13.2 VDC
Typical Capacity	560 Ah
Minimal Capacity	540 Ah
Energy	7392 Wh
Efficiency	>99 %
Cycle Life	>3500 cycles at 1C, 80 % DoD
Cell Self-Discharge	<2 % per month
Cell Type (chemistry)	Cylindrical (LiFePo4)
Number of battery modules	4
Pack configuration	1S/4P
Wheight	69.0 kg (152 lb)
Dimensions	779 x 437 x 206 mm (30.67" x 17.20" x 8.11"
Housing Protection	IP21, With additional raincover IP54

12 VDC  
560 Ah

POWER CAPACITY  
7392 Wh

THE ULTIMATE MODULAR  
System Solution

CONNECTS TO  
Cloud & MFD's

12 | 13

Lithium Superieur | The ultimate solution for energy storage

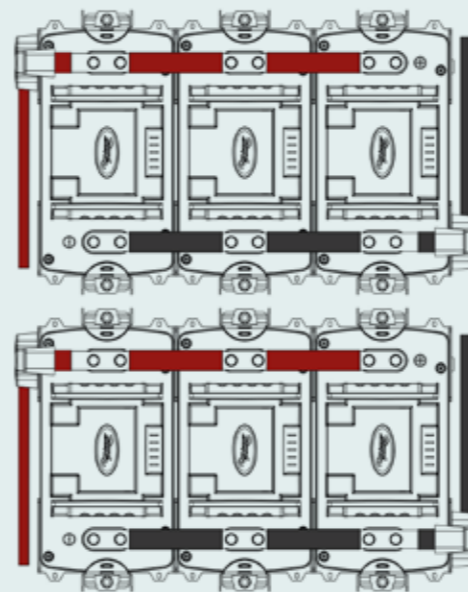
LITHIUM BATTERY SUPERIEUR

# CONFIGURATION 5

12 VDC | 2x420 Ah | 2x5544 Wh

BatteryPack (40291245) 2x 1S/3P – Contains following items:

Art. No.	Definition	Qty.
40291210	Advanced Lithium Battery - Superieur 12 V - 140 Ah - LiFePo4 Iron Phosphate Technology (LFP)	6
40291280	Mounting kit - Bottom plate and clamps - Advanced Lithium Battery - Superieur 12 VDC - 140 Ah	6
40291293	Connection kit - 1S/3P Configuration 12 VDC - 420 Ah - Advanced Lithium Battery - Superieur	2
40291288	Battery cable + (Red) Assy - Lithium Superieur 140Ah	1
40291289	Battery cable - (Black) Assy - Lithium Superieur 140Ah	1
50212018	WP_MDC Class-T Fuseholder 50V (225-400A) - HE-AVY DUTY SERIES	2
50212038	WP-LIMITROIN CLASS-T-300 CURRENT LIMIT Fast act fuse 300A	2
40280117	OctoView 3 Inch - Starter Pack - Includes Octoview 3" panel, 6 mtr WP Connect cable, 2 Terminators	1
40290352	Whisper Connect Patch Cable 1.5 mtr	1



## LITHIUM BATTERY SUPERIEUR 12 VDC | 2x420 Ah | 2x5544 Wh

Article Number	40291245
Nominal voltage	12.0 VDC
Open Circuit Voltage	13.2 VDC
Typical Capacity	2 x 420 Ah
Minimal Capacity	2 x 405 Ah
Energy	2 x 5544 Wh
Efficiency	>99 %
Cycle Life	>3500 cycles at 1C, 80 % DoD
Cell Self-Discharge	<2 % per month
Cell Type (chemistry)	Cylindrical (LiFePo4)
Number of battery modules	2 x 3
Pack configuration	2 x 1S/3P
Wheight	101.8 kg (224 lb)
Dimensions	779 x 622 x 206 mm (30.67" x 24.49" x 8.11"
Housing Protection	IP21, With additional raincover IP54

12 VDC  
840 Ah

POWER CAPACITY  
11088 Wh

THE ULTIMATE MODULAR  
System Solution

CONNECTS TO  
Cloud & MFD's

14 | 15

Lithium Superieur | The ultimate solution for energy storage

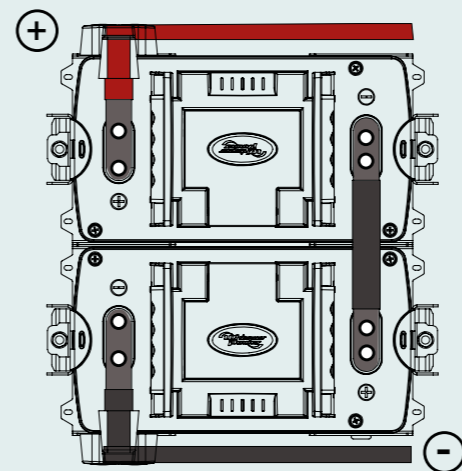
LITHIUM BATTERY SUPERIEUR

# CONFIGURATION 6

24 VDC | 140 Ah | 3696 Wh

BatteryPack (40291250) 2S/1P – Contains following items:

Art. No.	Definition	Qty.
40291210	Advanced Lithium Battery - Superieur 12 V - 140 Ah - LiFePo4 Iron Phosphate Technology (LFP)	2
40291280	Mounting kit - Bottom plate and clamps - Advanced Lithium Battery - Superieur 12 VDC - 140 Ah	2
40291292	Connection kit - 2S/1P Configuration 24 VDC - 140 Ah - Advanced Lithium Battery - Superieur	1
50212018	WP_MDC Class-T Fuseholder 50V (225-400A) - HEAVY DUTY SERIES	1
50212037	WP-LIMITROIN CLASS-T-225A FUSE - CURRENT LIMIT Fast act fuse 225A	1
40280117	OctoView 3 Inch - Starter Pack - Includes Octoview 3" panel, 6 mtr WP Connect cable, 2 Terminators	1



## LITHIUM BATTERY SUPERIEUR 24 VDC | 140 Ah | 3696 Wh

Article Number	40291250
Nominal voltage	24.0 VDC
Open Circuit Voltage	26.4 VDC
Typical Capacity	140 Ah
Minimal Capacity	135 Ah
Energy	3696 Wh
Efficiency	>99 %
Cycle Life	>3500 cycles at 1C, 80 % DoD
Cell Self-Discharge	<2 % per month
Cell Type (chemistry)	Cylindrical (LiFePo4)
Number of battery modules	2
Pack configuration	2S/1P
Wheight	33.9 kg (75 lb)
Dimensions	379 x 437 x 206 mm (14.92" x 17.20" x 8.11")
Housing Protection	IP21, With additional raincover IP54

24 VDC  
140 A

POWER CAPACITY  
3696 Wh

THE ULTIMATE 24 VDC  
Modular System

CONNECTS TO  
Cloud & MFD's

16 | 17

Lithium Superior | The ultimate solution for energy storage

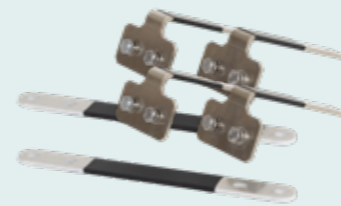
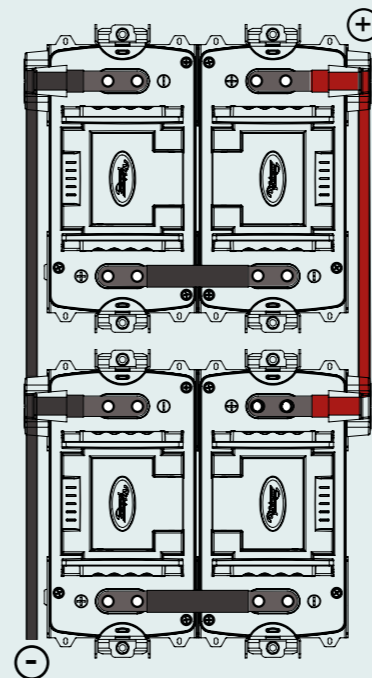
LITHIUM BATTERY SUPERIEUR

# CONFIGURATION 7

24 VDC | 280 Ah | 7392 Wh

BatteryPack (40291260) 2S/2P – Contains following items:

Art. No.	Definition	Qty.
40291210	Advanced Lithium Battery - Superieur 12 V - 140 Ah - LiFePo4 Iron Phosphate Technology (LFP)	4
40291280	Mounting kit - Bottom plate and clamps - Advanced Lithium Battery - Superieur 12 VDC - 140 Ah	4
40291292	Connection kit - 2S/1P Configuration 24 VDC - 140 Ah - Advanced Lithium Battery - Superieur	2
50212018	WP_MDC Class-T Fuseholder 50V (225-400A) - HE-AVY DUTY SERIES	1
50212047	WP-LIMITROIN CLASS-T-300 CURRENT LIMIT Fast act fuse 300A	1
40291288	Battery cable + (Red) Assy - Lithium Superieur 140Ah	1
40291289	Battery cable - (Black) Assy - Lithium Superieur 140Ah	1
40290352	Whisper Connect Patch Cable 1.5 mtr	1
40280117	OctoView 3 Inch - Starter Pack - Includes Octoview 3" panel, 6 mtr WP Connect cable, 2 Terminators	1



## LITHIUM BATTERY SUPERIEUR 24 VDC | 280 Ah | 7392 Wh

Article Number	40291260
Nominal voltage	24.0 VDC
Open Circuit Voltage	26.4 VDC
Typical Capacity	280 Ah
Minimal Capacity	270 Ah
Energy	7392 Wh
Efficiency	>99 %
Cycle Life	>3500 cycles at 1C, 80 % DoD
Cell Self-Discharge	<2 % per month
Cell Type (chemistry)	Cylindrical (LiFePo4)
Number of battery modules	4
Pack configuration	2S/2P
Wheight	68.9 kg (152 lb)
Dimensions	779 x 437 x 206 mm (30.67" x 17.20" x 8.11")
Housing Protection	IP21, With additional raincover IP54

24VDC  
280 Ah

POWER CAPACITY  
7392 Wh

THE ULTIMATE 24 VDC  
Modular System

CONNECTS TO  
Cloud & MFD's

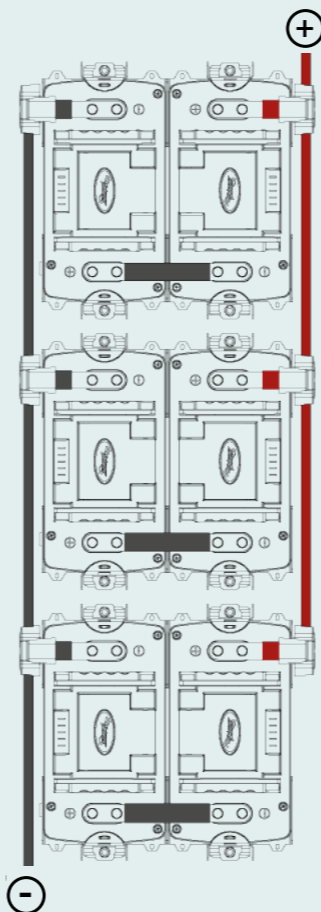
LITHIUM BATTERY SUPERIEUR

# CONFIGURATION 8

24 VDC | 420 Ah | 11088 Wh

BatteryPack (40291255) 2S/3P – Contains following items:

Art. No.	Definition	Qty.
40291210	Advanced Lithium Battery - Superieur 12 V - 140 Ah - LiFePo4 Iron Phosphate Technology (LFP)	6
40291280	Mounting kit - Bottom plate and clamps - Advanced Lithium Battery - Superieur 12 VDC - 140 Ah	6
40291292	Connection kit - 2S/1P Configuration 24 VDC - 140 Ah - Advanced Lithium Battery - Superieur	3
50212018	WP_MDC Class-T Fuseholder 50V (225-400A) - HE-AVY DUTY SERIES	1
50212047	WP-LIMITROIN CLASS-T-300 CURRENT LIMIT Fast act fuse 300A	1
40291288	Battery cable + (Red) Assy - Lithium Superieur 140Ah	2
40291289	Battery cable - (Black) Assy - Lithium Superieur 140Ah	2
40290352	Whisper Connect Patch Cable 1.5 mtr	2
40280117	OctoView 3 Inch - Starter Pack - Includes Octoview 3" panel, 6 mtr WP Connect cable, 2 Terminators	1



## LITHIUM BATTERY SUPERIEUR 24 VDC | 420 Ah | 11088 Wh

Article Number	40291255
Nominal voltage	24.0 VDC
Open Circuit Voltage	26.4 VDC
Typical Capacity	420 Ah
Minimal Capacity	405 Ah
Energy	11088 Wh
Efficiency	>99 %
Cycle Life	>3500 cycles at 1C, 80 % DoD
Cell Self-Discharge	<2 % per month
Cell Type (chemistry)	Cylindrical (LiFePo4)
Number of battery modules	6
Pack configuration	2S/3P
Wheight	102.5 kg (226 lb)
Dimensions	1179 x 437 x 206 mm (46.42" x 17.20" x 8.11")
Housing Protection	IP21, With additional raincover IP54

24VDC  
420 Ah

POWER CAPACITY  
11088 Wh

THE ULTIMATE 24 VDC  
Modular System

CONNECTS TO  
Cloud & MFD's

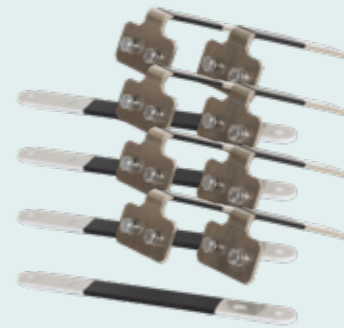
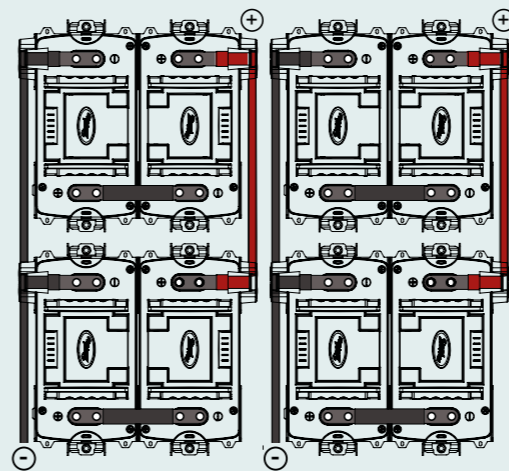
LITHIUM BATTERY SUPERIEUR

# CONFIGURATION 9

24 VDC | 2x280 Ah | 2x7392 Wh

BatteryPack (40291265) 2x 2S/2P – Contains following items:

Art. No.	Definition	Qty.
40291210	Advanced Lithium Battery - Superieur 12 V - 140 Ah - LiFePo4 Iron Phosphate Technology (LFP)	8
40291280	Mounting kit - Bottom plate and clamps - Advanced Lithium Battery - Superieur 12 VDC - 140 Ah	8
40291292	Connection kit - 2S/1P Configuration 24 VDC - 140 Ah - Advanced Lithium Battery - Superieur	4
50212018	WP_MDC Class-T Fuseholder 50V (225-400A) - HE-AVY DUTY SERIES	2
50212047	WP-LIMITROIN CLASS-T-300 CURRENT LIMIT Fast act fuse 300A	2
40291288	Battery cable + (Red) Assy - Lithium Superieur 140Ah	2
40291289	Battery cable - (Black) Assy - Lithium Superieur 140Ah	2
40290352	Whisper Connect Patch Cable 1.5 mtr	3
40280117	OctoView 3 Inch - Starter Pack - Includes Octoview 3" panel, 6 mtr WP Connect cable, 2 Terminators	1



## LITHIUM BATTERY SUPERIEUR 24 VDC | 2x280 Ah | 2x7392 Wh

Article Number	40291265
Nominal voltage	24.0 VDC
Open Circuit Voltage	26.4 VDC
Typical Capacity	2 x 280 Ah
Minimal Capacity	2 x 270 Ah
Energy	2 x 7392 Wh
Efficiency	>99 %
Cycle Life	>3500 cycles at 1C, 80 % DoD
Cell Self-Discharge	<2 % per month
Cell Type (chemistry)	Cylindrical (LiFePo4)
Number of battery modules	2 x 4
Pack configuration	2 x 2S/2P
Weight	137.8 kg (304 lb)
Dimensions	1579 x 437 x 206 mm (62.17" x 17.20" x 8.11")
Housing Protection	IP21, With additional raincover IP54

24VDC  
560 Ah

POWER CAPACITY  
14784 Wh

THE ULTIMATE 24 VDC  
Modular System

CONNECTS TO  
Cloud & MFD's

22 | 23

Lithium Superieur | The ultimate solution for energy storage

LITHIUM BATTERY SUPERIEUR  
**BATTERY EXPLAINED**

**SMART LED BAR**

- 1 - Warning Alarm (red)
- 2 - Battery SOC > 5%
- 3 - Battery SOC > 35%
- 4 - Battery SOC > 65%
- 5 - Battery SOC > 95%



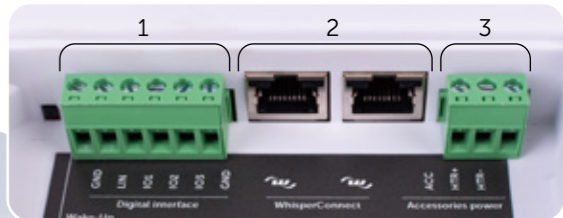
**BRACKET**  
 to prevent the battery from moving

**STEEL BASE PLATE**  
 for quick and secure installation

**ROBUST BUSBAR**  
 to minimize current losses



**DIP SWITCH SELECTOR**  
 Alternate configurations can be set with the dip-switch settings. See the manual for the dip-switch settings.



- CONNECTIONS**
- 1 - Digital Integration Terminal
  - 2 - WhisperConnect CAN Bus – 2 ports for easy daisy chaining Plug in port for OctoView Battery Monitor (V/A/SOC/Temp)
  - 3 - Power Entry Battery Heating Element

OPTIMIZED  
**Integration**

NO MORE EXTRA  
**Boxes**

DIAGNOSTICS  
**At a glance**

SAFETY IN STORAGE AND  
**Transportation**

# WHISPERCARE MONITORING AND CONTROL



## ON-SITE MONITORING OCTOVIEW 3

No extra boxes needed! Connects directly to the Superieur battery pack. Direct access to obtain information such as State of Charge (SOC) of the battery, battery voltage, current in/out and various fault finding information. See system example at the back page illustrating the multiple use of the OctoView 3

Keeps track on what's happening in your precious battery system...



## ON-SITE MONITORING CONNECT TO 7 OR 10 INCH TOUCH SCREENS

For more advanced monitoring and control, the Superieur battery can be connected to the OctoView 7 or 10 Inch Touch screen, providing a clear visual and user-friendly interface. Requires one of the OctoControl interface devices.

- These Touchscreens offer quick access to all essential system components
- Includes historical read-out information, system graphs and battery analytics
- Other WhisperPower power products can be connected as well including Supreme Pro or Supreme Multi battery chargers
- Works with OctoControl Pro to enhance system management.



## INTEGRATION TO MFD SYSTEMS

Already using a multifunctional display (MFD) from Garmin, Raymarine, SIMRAD, B&G, Q Display or YachtControl?

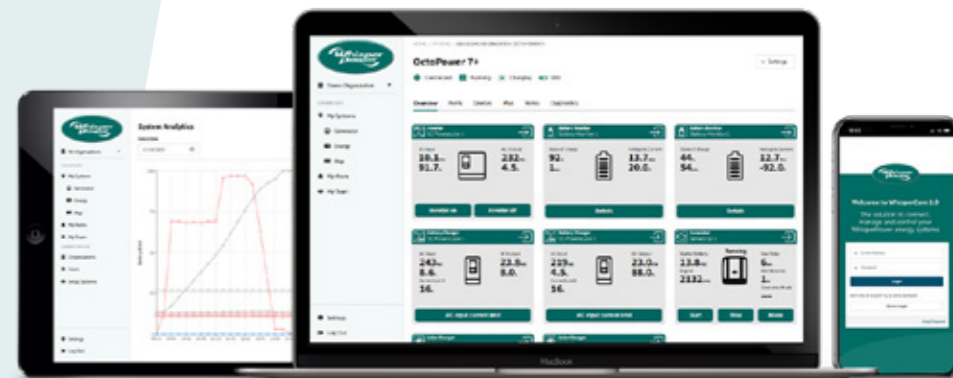
Superieur batteries can be connected via one of the OctoControl interfaces, via a HTML 5 connection, to these screens.

## THE FINAL STEP ONLINE MONITORING

With our WhisperCare system components, it's a piece of cake to enable remote monitoring of the Superior battery system, with the added option of receiving alarm system notifications. Simply connect the Superieur battery bank to one of the OctoControl interfaces and to an existing router with SIM, or order a WhisperPower router, and the entire energy management system can be monitored remotely.

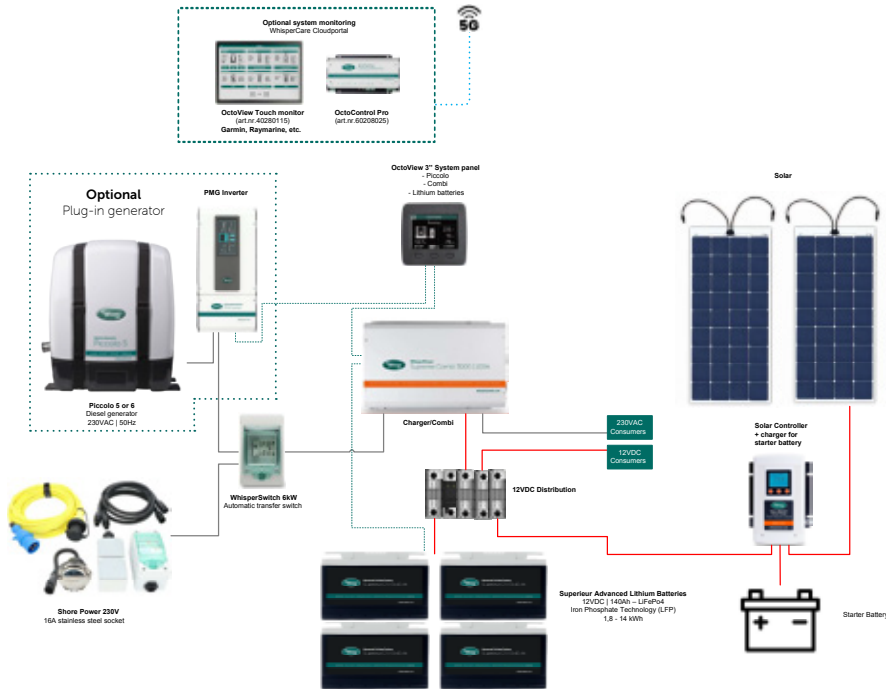


**WhisperPower's cloud-based solutions offer full system control, monitoring, historic analytics and a lot more.**



# SYSTEM OVERVIEW

Superieur Battery integrated in a complete OctoPower system



# Distribution in over 70 countries

-  International
-  Benelux
-  Germany
-  United Kingdom
-  Spain & Portugal
-  China
-  Americas

Your Dealer:



[whisperpower.com](http://whisperpower.com)